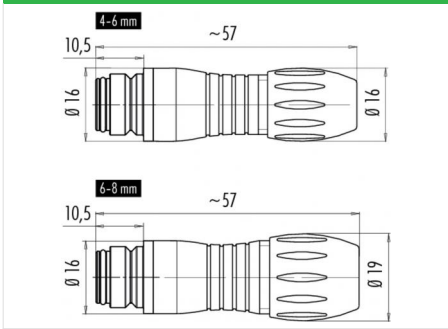


| | |
|----------------|---|
| Product | Contacts: 5, Female cable connector, cable outlet 4 - 6 mm, blue |
| Area | Snap-in IP67, miniature Series |
| Article number | 99 9114 460 05 |

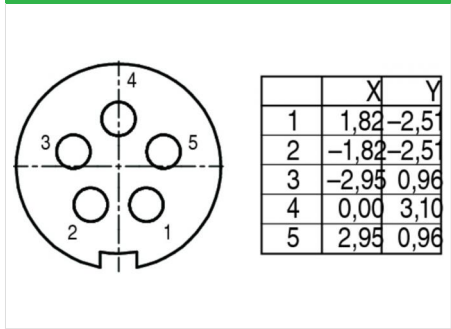
Illustration



Scale drawing



Contact Arrangement



You can find the item description on the next page.

Technical data

General features

| | |
|--------------------------|------------------------|
| Connector Design | Female cable connector |
| Connector locking system | snap |
| Termination | solder |
| Wire gauge (mm) | 0,75 mm ² |
| Wire gauge (AWG) | 20 |
| Cable outlet | 4 - 6 mm |
| Upper temperature | 85 °C |
| Lower temperature | -40 °C |

Electrical parameters

| | |
|-----------------------|--------------|
| Rated voltage | 125 V |
| Rated impulse voltage | 1500 V |
| Pollution degree | 2 |
| Overvoltage category | II |
| Material group | II |
| Rated current (40°C) | 5 A |
| Volume resistivity | ≤ 3 mΩ |
| EMV compliance | not shielded |
| Degree of protection | IP67 |

Material

| | |
|--------------------------|----------------|
| Material of contact | CuSn (Bronze) |
| Contact plating | Au (gold) |
| Material of contact body | PA (UL 94 V-0) |

Product **Contacts: 5, Female cable connector, cable outlet 4 - 6 mm, blue**
Area **Snap-in IP67, miniature Series**
Article number **99 9114 460 05**

Item description

