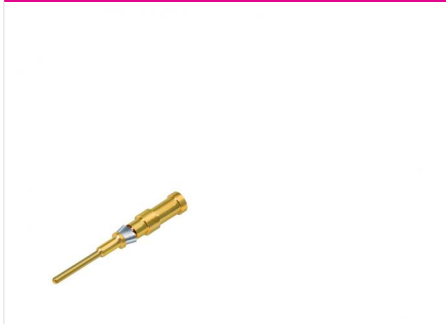
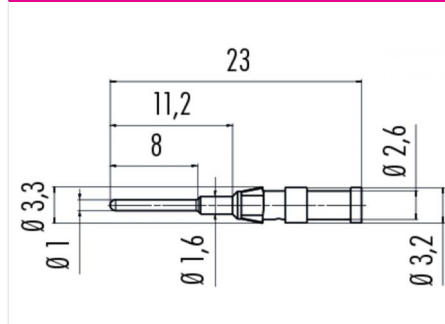


Product **Series 825/876, serie 715: Pin contact (VE=100 each), 0,75- 1,0 mm²**
 Article number **61 1226 146**

Illustration



Scale drawing



Matching products

- Kabelstecker, Crimpanschluss
- Kabelstecker, Crimpanschluss, schirmbar
- Female cable connector, crimp termination
- Male angled connector, crimp termination, shieldable
- male cable connector, crimp connection
- female cable connector, crimp connection
- female cable connector, crimp connection
- male cable connector, crimp connection
- Cable plug connector, CRIMP connection, shieldable, CAT 5
- Male angled connector, CRIMP connection, shieldable, CAT 5