

Product sheet
Miniature connector

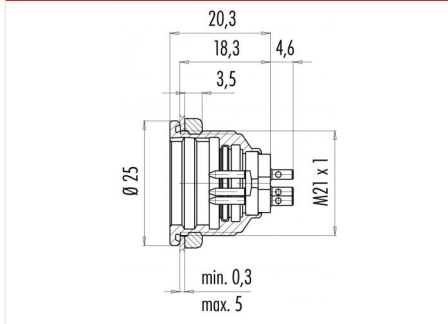


Product	Contacts: 6 DIN, Male panel mount connector IP 40	Area	Push-Pull IP67 Series 440
Pole	6 DIN	Article number	09 4819 25 06

Illustration



Scale drawing



Contact Arrangement

	X	Y
1	3,03	-1,75
2	3,03	1,75
3	0,00	3,50
4	-3,03	1,75
5	-3,03	-1,75
6	0,00	0,00

You can find the item description and assembly instruction on the next page.

Technical data

Common values

Connector Design	Male panel mount connector
Connector locking system	Push-Pull
Termination	Solder
Wire gauge (mm)	0.75 mm ²
Wire gauge (AWG)	20
Cable outlet	-
Upper temperature	85 °C
Lower temperature	-40 °C

Electrical values

Rated voltage	125 V
Rated impulse voltage	800 V
Pollution degree	1
Overvoltage category	I
Material group	III
Rated current (40°C)	5 A
Volume resistivity	≤ 3 mΩ
EMV compliance	not shielded
Degree of protection	IP40
Mechanical operation	> 1000 mating cycles

Material

Material of contact	CuZn (Brass)
Contact plating	Au (Gold)
Material of contact body	PBT (UL 94 V-0)
Material of housing	CuZn (Brass nickel-plated)

Contacts: 6 DIN, Male panel mount connector IP 40

Product

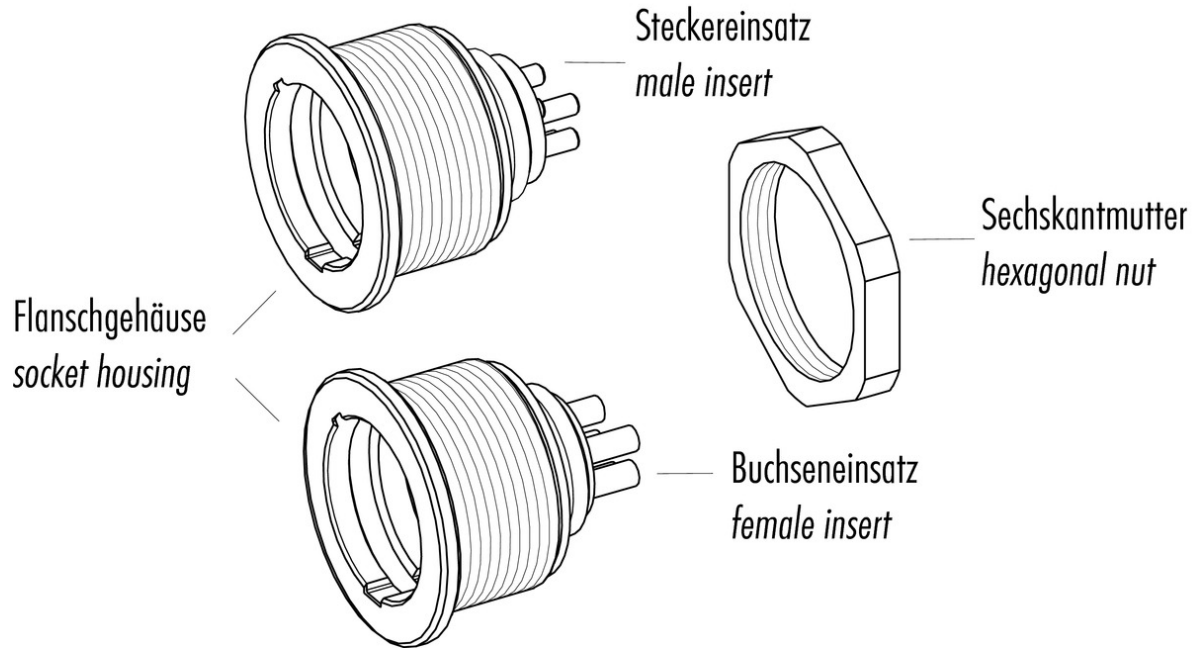
Contacts: 6 DIN, Male panel mount
connector IP 40
6 DIN

Area
Article number

Push-Pull IP67 Series 440
09 4819 25 06

Pole

Item description



Installation instructions / Mounting cutout

