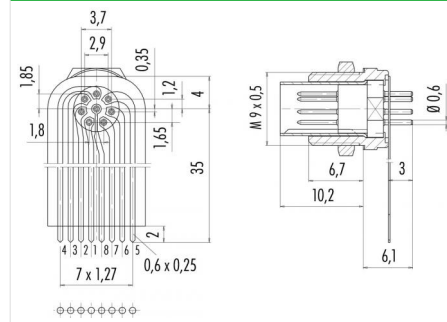


Product	<b>Contacts: 8, Male panel mount connector with flexible printed circuit board (PCB)</b>	Area	<b>M9 IP40 Series 711</b>
Pole	<b>8</b>	Article number	<b>09 0481 65 08</b>

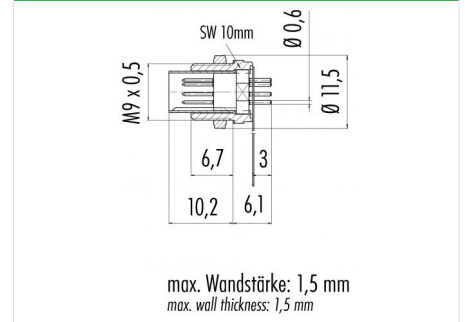
### Illustration



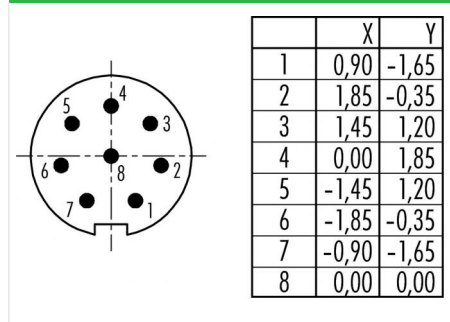
### Conductor layout



### Scale drawing



### Contact Arrangement



You can find the assembly instruction on the next page.

## Technical data

### Common values

Connector Design	Male panel mount connector
Connector locking system	screw
Termination	Solder
Wire gauge (mm)	-
Wire gauge (AWG)	-
Cable outlet	-
Upper temperature	85 °C
Lower temperature	-40 °C

### Cable data

material housing	-
Insulation single lead	-
Single lead structure	-
Conductor resistance	-

### Electrical values

Rated voltage	125 V
Rated impulse voltage	1500 V
Pollution degree	1
Overvoltage category	II
Material group	III
Rated current (40°C)	1 A
Volume resistivity	≤ 3 mΩ
EMV compliance	not shieldable
Degree of protection	IP40
Mechanical operation	> 500 mating cycles

### Material

Material of contact	CuZn (Brass)
Contact plating	Au (Gold)
Material of contact body	PA (UL 94 V-0)
Material of housing	CuZn (Brass nickel-plated)

Contacts: 8, Male panel mount connector with flexible printed circuit board (PCB)

Product

**Contacts: 8, Male panel mount connector  
with flexible printed circuit board (PCB)  
8**

Area  
Article number

**M9 IP40 Series 711  
09 0481 65 08**

Pole

Installation instructions / Mounting cutout

