

Product  
Pole

Contacts 4, cable plug connector, green  
4

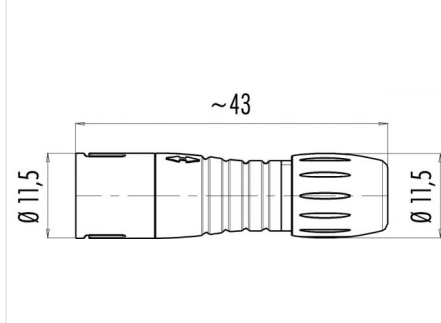
Area  
Article number

Snap-in IP67 Series 620  
99 9209 070 04

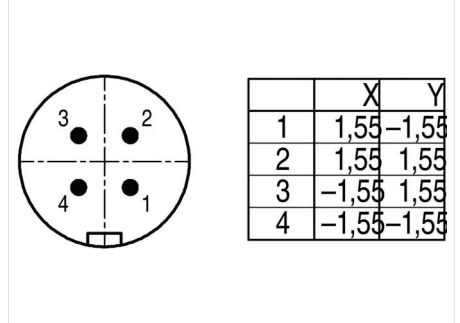
### Illustration



### Scale drawing



### Contact Arrangement



You can find the item description on the next page.

## Technical data

### Common values

Connector Design	Cable plug connector
Connector locking system	Snap
Wire gauge (mm)	0.25 mm <sup>2</sup>
Wire gauge (AWG)	24
Cable outlet	3 - 5 mm
Upper temperature	85 °C
Lower temperature	-40 °C

### Cable data

material housing	-
Insulation single lead	-
Single lead structure	-
Conductor resistance	-

### Electrical values

Rated voltage	125 V
Rated impulse voltage	1500 V
Pollution degree	2
Overvoltage category	II
Material group	II
Rated current (40°C)	2.5 A
Volume resistivity	≤ 3 mΩ
EMV compliance	not shielded
Degree of protection	IP67
Mechanical operation	> 500 mating cycles

### Material

Material of contact	CuZn (Brass)
Contact plating	Au (Gold)
Material of contact body	PA (UL 94 V-0)
Material of housing	PA (UL 94 V-0)

Contacts: 4, Cable plug connector, green

Product  
Pole

**Contacts 4, cable plug connector, green**  
4

Area  
Article number

**Snap-in IP67 Series 620**  
99 9209 070 04

Item description

