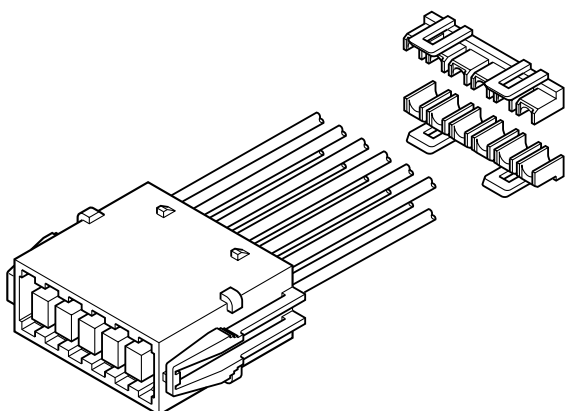
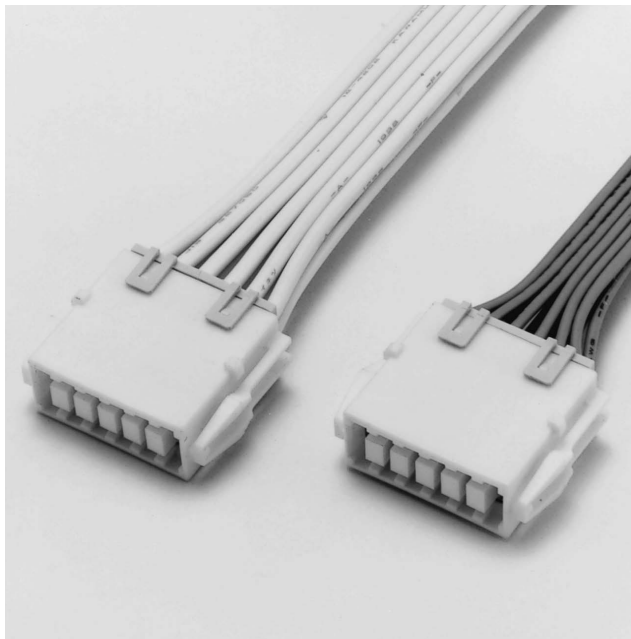


BL CONNECTOR

Wire-to-wire connector for short-circuit connection



Features

• For short-circuit connection

Tab contacts for short-circuit connection are to be mounted in the housing.

• Housing lance

The resilient plastic housing lances secure the contacts in the housing. Since the lances are in the housings rather than on the contacts, they are not affected by handling, and allow the contacts to be lightly inserted without undue force. This establishes a feeling of uniform insertion and a noticeable change in that feeling when insertion is completed.

• Secondary retainers

The secondary retainers enhance safety in case of partial insertion or accidental release of the contact. Even if a contact is inserted incompletely, the retainer guides the contact to the proper position and securely locks it in place.

• Panel lock construction

Our unique compact panel lock is designed to prevent tangling with wires and accidental breakage because of handling.

• Tab contact built-in type is available

Connectors with contacts already built-in can be supplied too. Place orders with model numbers exclusively allocated to them.

Specifications

- Current rating: 7A AC, DC max./ line
- Voltage rating: 300V AC, DC max.
- Temperature range: -25°C to +90°C
(including temperature rise in applying electrical current)
- Contact resistance: Initial value/7m Ω max.
After environmental testing/10m Ω max.
- Insulation resistance: 1,000M Ω min.
- Withstanding voltage: 1,500V AC/minute
- Applicable wire: AWG #22 to #18
0.3 to 0.75mm²
- Applicable panel thickness: 0.7 to 2.0mm
- * Compliant with RoHS.
- * Refer to "General Instruction and Notice when using Terminals and Connectors" at the end of this catalog.
- * Contact JST for details.

Note: The current rating varies depending on the number of circuits and the wire size used in each connector. The table below lists the current rating as a function of the number of circuits and wire size.

Current unit: A

Circuits	Wire size (AWG)		
	#18	#20	#22
8,12	7	5	4

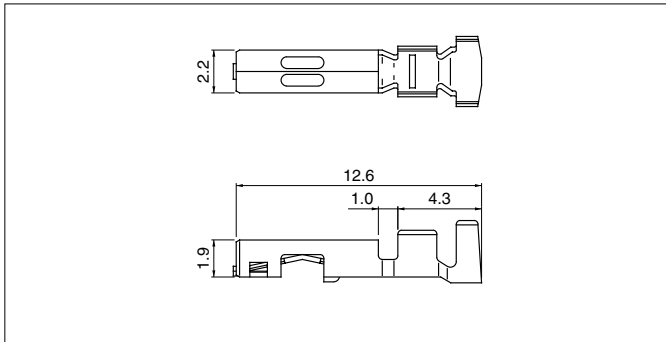
Standards

Recognized E60389

Certified LR20812

BL CONNECTOR

Contact



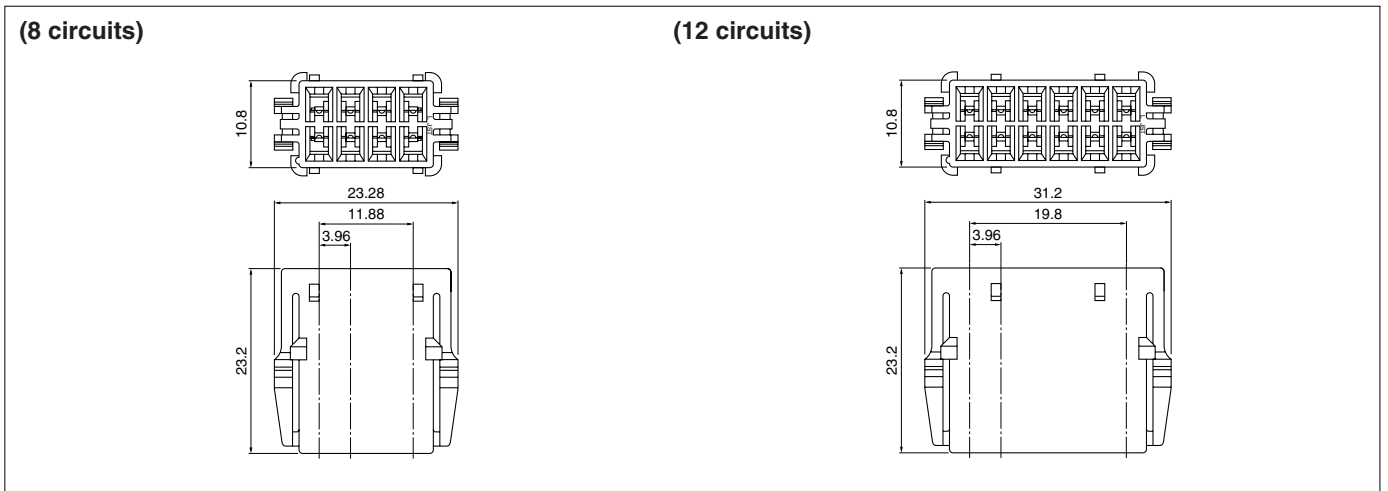
Model No.	Applicable wire			Q'ty / reel
	mm ²	AWG #	Insulation O.D. (mm)	
SSF-21T-P1.4	0.3 to 0.75	22 to 18	1.5 to 2.2	6,000

Material and Finish

Phosphor bronze, tin-plated (reflow treatment)

RoHS compliance

Housing



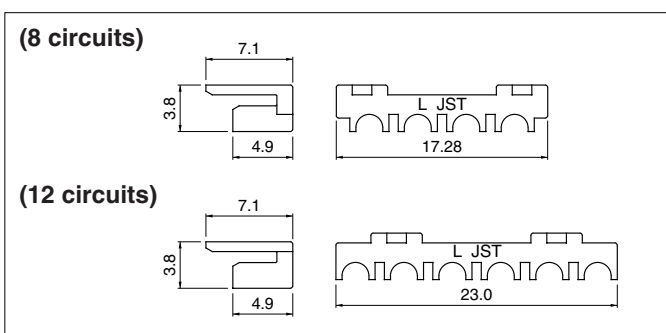
Circuits	Model No.	Q'ty / bag
8	BL-08V	100
12	BL-12V	100

Material

PA 66, UL94V-0

RoHS compliance

Retainer



Circuits	Model No.	Q'ty / bag
8	HLS-08V	1,000
12	HLS-12V	1,000

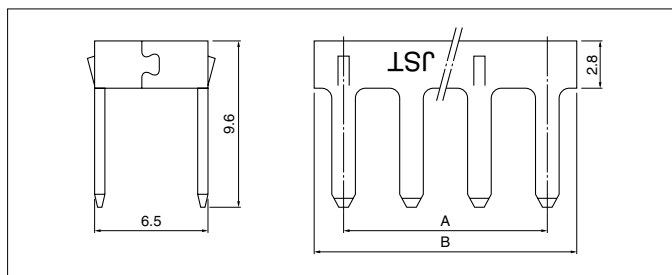
Material

Glass-filled PA 66, UL94V-0

RoHS compliance

BL CONNECTOR

Tab contact



Circuits	Model No.	Dimensions (mm)		Q'ty / box
		A	B	
8	BLT-08T-0.5	11.88	15.08	500
12	BLT-12T-0.5	19.80	23.00	250

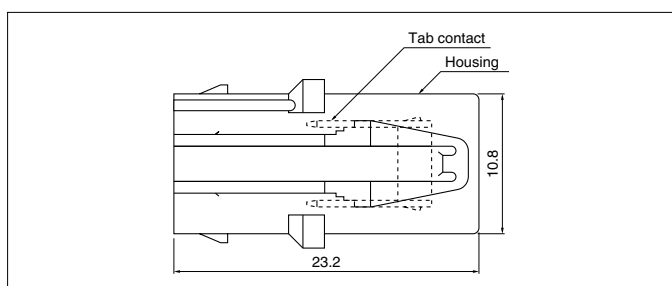
Material and Finish

Brass, tin-plated (reflow treatment)

RoHS compliance

Note: Contact JST for the jig to mount the tab contact onto the housing.

Tab contact built-in product



Circuits	Model No.	Q'ty / box
8	BL-08V ST	100
12	BL-12V ST	100

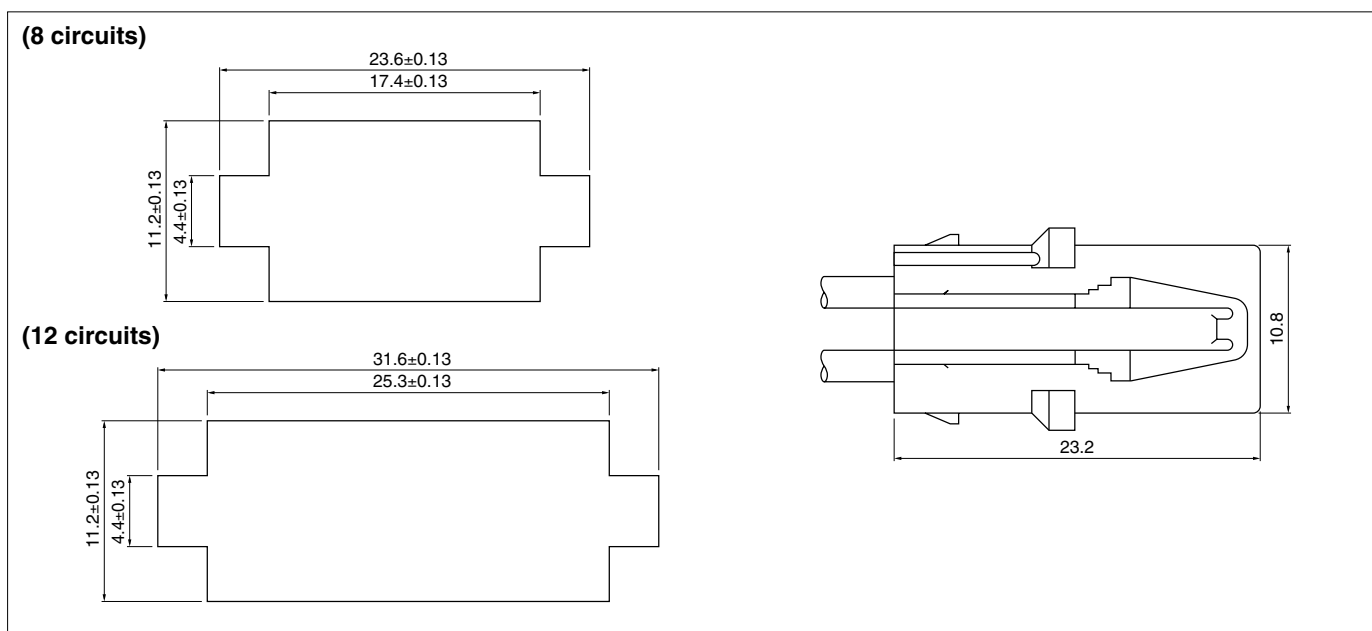
Material and Finish

Housing: PA 66, UL94V-0
Tab contact: Brass, tin-plated (reflow treatment)

RoHS compliance

Note: The above housings are tab contact built-in product.

Panel layout and Assembly layout



Note: 1. Punch holes in the panel according to the sketch and table shown above. Burrs must be removed.

2. The strength of the panel must be considered when punching two or more holes.

3. The connector must be inserted from the same side as the hole is punched.

Crimping machine, Applicator

Contact	Crimping machine	Crimp applicator	Dies	Crimp applicator with dies
SSF-21T-P1.4	AP-K2N	MKS-L	MK/SSF/M-21-14	APLMK SSF/M21-14