

# Product sheet

## Miniature connector




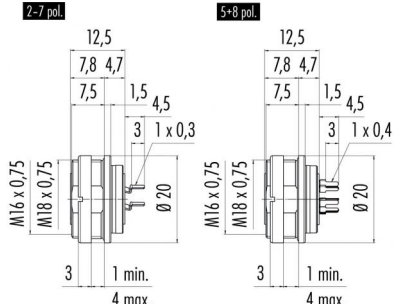
|         |  |                |                                      |
|---------|--|----------------|--------------------------------------|
| Product | <b>Contacts: 2, Female panel mount connector, dip-solder, screwed from front, 2 - 8 contacts, with UL approval</b> | Area           | <b>M16 IP67 Series 423/ 723/ 425</b> |
| Pole    | <b>2</b>   | Article number | <b>09 0104 90 02</b>                 |

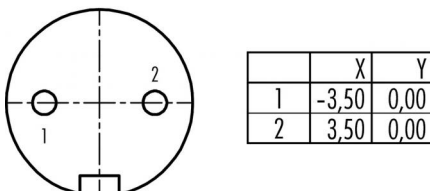
**Illustration**

**Scale drawing**

**Contact Arrangement**







|   | X     | Y    |
|---|-------|------|
| 1 | -3,50 | 0,00 |
| 2 | 3,50  | 0,00 |

**You can find the assembly instruction on the next page.**

## Technical data

### Common values

|                          |                              |
|--------------------------|------------------------------|
| Connector Design         | Female panel mount connector |
| Connector locking system | screw                        |
| Termination              | dip-solder                   |
| Wire gauge (mm)          | -                            |
| Wire gauge (AWG)         | -                            |
| Upper temperature        | 95 °C                        |
| Lower temperature        | -40 °C                       |

### Electrical values

|                       |                     |
|-----------------------|---------------------|
| Rated voltage         | 250 V               |
| Rated impulse voltage | 1500 V              |
| Pollution degree      | 1                   |
| Overvoltage category  | I                   |
| Material group        | III                 |
| Rated current (40°C)  | 7 A                 |
| Volume resistivity    | ≤ 5 mΩ              |
| EMV compliance        | shielded            |
| Degree of protection  | IP67                |
| Mechanical operation  | > 500 mating cycles |

### Material

|                          |                                |
|--------------------------|--------------------------------|
| Material of contact      | CuSn (Bronze)                  |
| Contact plating          | Ag (Silver)                    |
| Material of contact body | PBT (UL 94 V-0)                |
| Material of housing      | Nickel-plated zinc die casting |

**Contacts: 2, Female panel mount connector, dip-solder, screwed from front, 2 - 8 contacts, silver plated contacts, with UL approval**

|         |  |                |                                      |
|---------|--|----------------|--------------------------------------|
| Product | <b>Contacts: 2, Female panel mount connector, dip-solder, screwed from front, 2 - 8 contacts, with UL approval</b> | Area           | <b>M16 IP67 Series 423/ 723/ 425</b> |
| Pole    | <b>2</b>   | Article number | <b>09 0104 90 02</b>                 |

Installation instructions / Mounting cutout

