

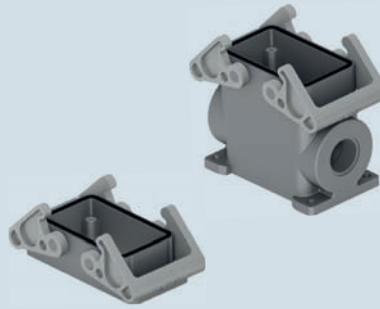


inserts:	page:
CDD 42 poles + ⊕	69
CDS 18 poles + ⊕	79
CSH 10 poles + ⊕	92
CNE, CSE 10 poles + ⊕	105
CCE 10 poles + ⊕	111
CSS 10 poles + ⊕	123
CT, CTSE (16A) * .. 10 poles + ⊕	131
CQE 18 poles + ⊕	139
CMCE 3+2 (aux) poles + ⊕	148
CME 3+2 (aux) poles + ⊕	149
CMSH 3+2 (aux) poles + ⊕	149
CX 8/24 poles + ⊕	169
MIXO 3 modules	179 - 215

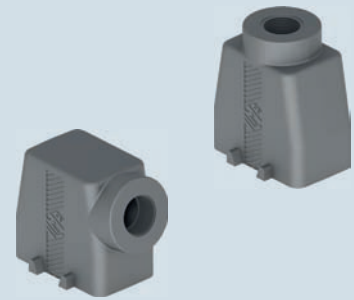
*) only for standard insulating version TCHI

insert centre distance:
57 x 27 mm

housings with double lever



hoods with 4 pegs

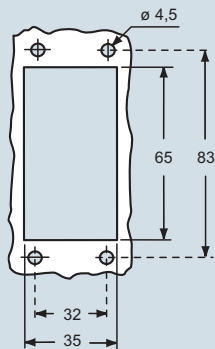


description	part No.	entry M
bulkhead mounting housing with thermoplastic levers	TCHI 10	
surface mounting housing with thermoplastic levers	TMAP 10.25	25
surface mounting housing with thermoplastic levers	TMAP 10.32	32
with pegs, side entry		
with pegs, side entry		
with pegs, top entry		
with pegs, top entry		

part No.	entry M

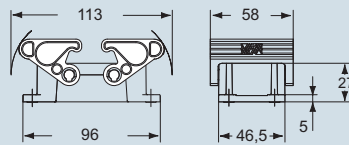
part No.	entry M
TMAO 10.25	25
TMAO 10.32	32
TMAV 10.25	25
TMAV 10.32	32

panel cut-out for bulkhead mounting housing in mm

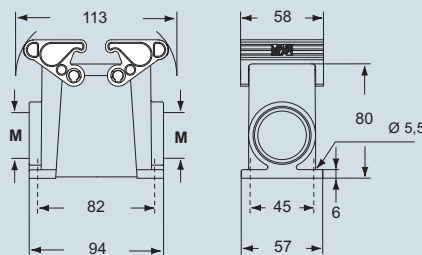


dimensions in mm

TCHI 10

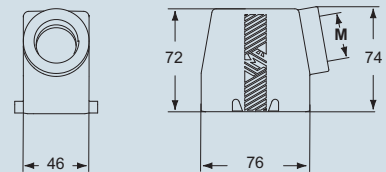


TMAP 10.25 and TMAP 10.32

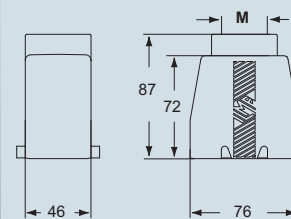


dimensions in mm

TMAO 10.25 and TMAO 10.32



TMAV 10.25 and TMAV 10.32



The surface mounting, high construction housings are supplied with an open threaded entry and diametrically opposite a closed threaded entry which can be opened by the user if required (with suitable tool).

CAUS® Type 12



ambient temperature limits -40 °C / +90 °C

dimensions shown are not binding
and may be changed without notice



inserts:	page:	hoods with double lever top entry
CDD 42 poles + ⊕	69	
CDS 18 poles + ⊕	79	
CSH 10 poles + ⊕	92	
CNE, CSE 10 poles + ⊕	105	
CCE 10 poles + ⊕	111	
CSS 10 poles + ⊕	123	
CT, CTSE (16A) * .. 10 poles + ⊕	131	
CQE 18 poles + ⊕	139	
CMCE 3+2 (aux) poles + ⊕	148	
CME 3+2 (aux) poles + ⊕	149	
CMSH 3+2 (aux) poles + ⊕	149	
CX 8/24 poles + ⊕	169	
MIXO 3 modules	179 - 215	

*) only for standard insulating version TCHI

insert centre distance:
57 x 27 mm



NEW

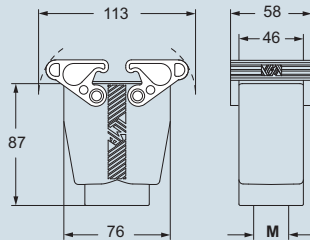


NEW

description	part No.	entry M	part No. (with eyelet)	part No. (with loop)
with thermoplastic levers and gasket	TMAV 10 G25	25		
with thermoplastic levers and gasket	TMAV 10 G32	32		
with 4 pegs			TCHC 10	TCHC 10 S
with 2 thermoplastic levers and gasket				TCHC 10 G

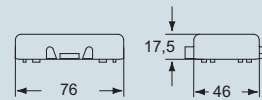
dimensions in mm

TMAV 10 G25 and TMAV 10 G32

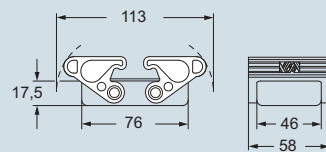


dimensions in mm

TCHC 10 (S)



TCHC 10 G



CRUS Type 12



ambient temperature limits -40 °C / +90 °C

dimensions shown are not binding and may be changed without notice

