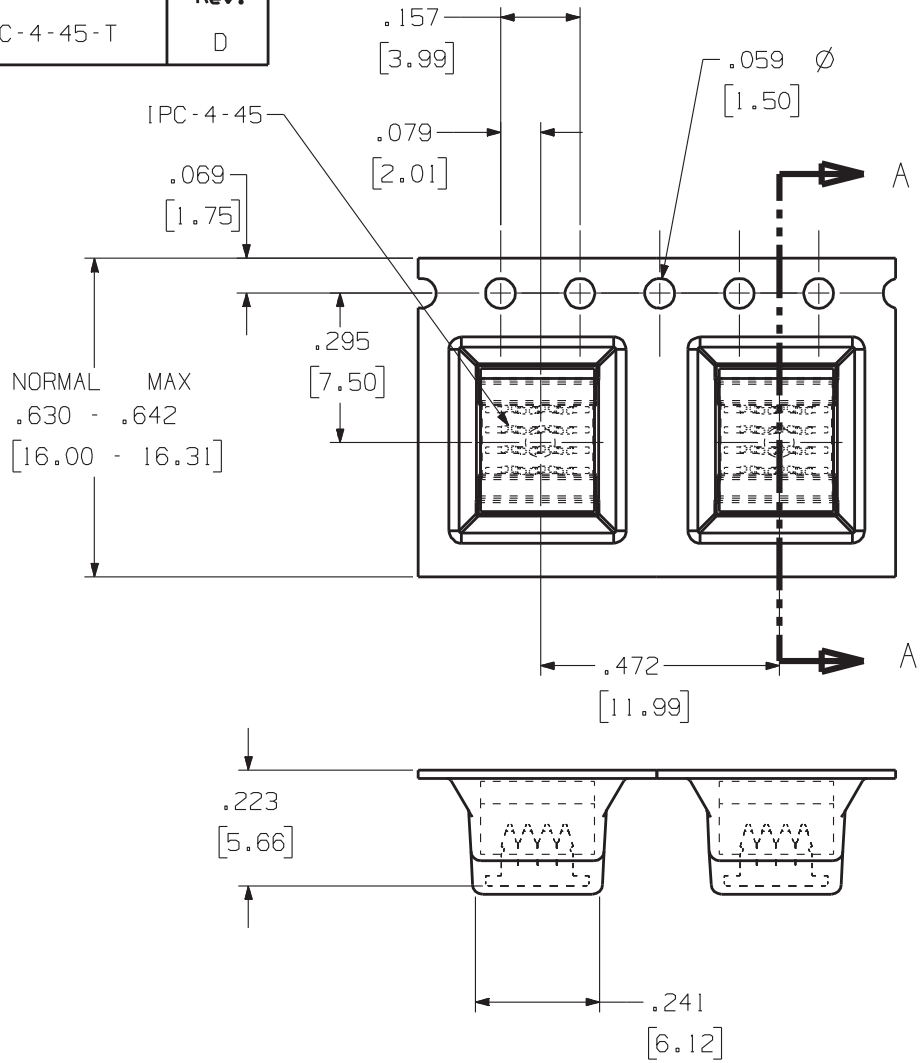


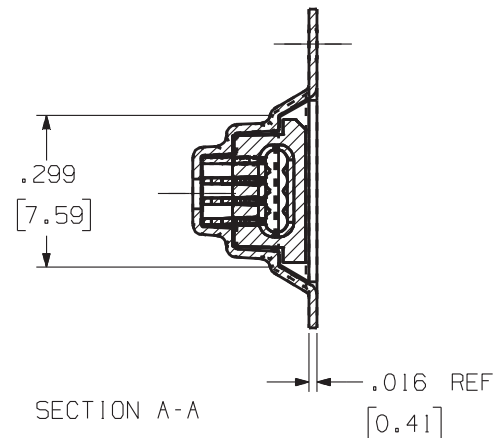
IPC-4-45-T

Rev.
D

APPLICATION DRAWING



NOTE:
 THIS PART IS A PROPRIETARY
 PRODUCT OF ZIERICK MFG. CORP.
 PATENT #7320616



RoHS COMPLIANT

16mm TAPE

Zierick Product Related Recommendations are general guidelines only. Since each customer's design, process and application is different it is necessary that customers thoroughly test our products in specific applications.

ZIERICK

Radio Circle Drive
 Mount Kisco, New York 10549

IDC ASSEMBLY IN TAPE

THIS DOCUMENT AND THE CONFIDENTIAL INFORMATION CONTAINED HERE ARE THE PROPERTY OF ZIERICK MANUFACTURING CORPORATION AND MAY NOT BE USED IN WHOLE OR IN PART IN ANY WAY, OR COMMUNICATED TO ANY PARTY OTHER THAN THE RECIPIENT WITHOUT THE EXPRESS PRIOR WRITTEN CONSENT OF ZIERICK MANUFACTURING CORPORATION.

IPC-4-45-T

D