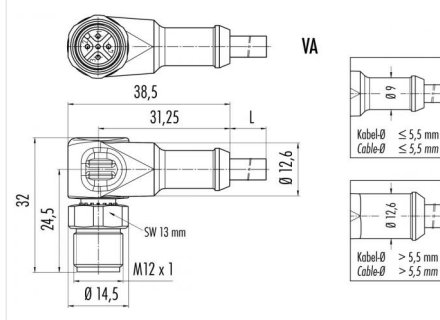


| | | | |
|---------|--|----------------|--------------------------------|
| Product | Polzahl: 8, Winkelstecker umspritzt, Edelstahlgewinding | Area | M12-A Series 763 |
| Pole | 8 | Article number | 77 3727 0000 50708-0500 |

Illustration



Scale drawing



Technical data

Common values

| | |
|--------------------------|--------------------------------|
| Connector locking system | screw |
| Termination | crimp, injection-moulded cable |
| Wire gauge (mm) | 0.25 mm ² |
| Wire gauge (AWG) | 24 |
| Upper temperature | 85 °C |
| Lower temperature | -25 °C |

Cable data

| | |
|--|----------|
| material housing | PUR |
| Insulation single lead | PVC |
| Single lead structure | 32 x 0.1 |
| Cable sheath Ø | 5 |
| Conductor resistance | 55Ω/Km |
| Temperature range cable movable c from | -5 |
| Temperature range cable movable c to | 70 |
| Temperature range cable fixed c from | -25 |
| Temperature range cable fixed c to | 70 |
| Bending radius cable fixed | 25 mm |
| Bending radius cable movable | 50 mm |

Electrical values

| | |
|----------------------|---------------------|
| Pollution degree | 3 |
| Overvoltage category | II |
| Material group | II |
| Rated current (40°C) | 4 A |
| Volume resistivity | ≤ 3 mΩ |
| EMV compliance | nicht geschirmt |
| Degree of protection | IP68 |
| Mechanical operation | > 100 mating cycles |

Material

| | |
|--------------------------|--------------|
| Material of contact | CuZn (Brass) |
| Contact plating | Au (Gold) |
| Material of contact body | PUR |
| Material of housing | PUR |

Polzahl: 8, Kabellänge 2 m, Kabel: 8 x 0,25 mm², PUR, Winkelstecker umspritzt, Edelstahlgewinding