

**Product sheet**  
**Miniature connector**

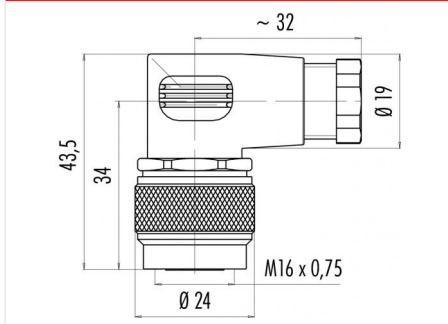


Product	<b>Contacts: 5 Stereo, female angled connector, cable outlet 4 - 6 mm</b>	Area	<b>M16 IP67 Series 723</b>
Pole	<b>5 Stereo</b>	Article number	<b>99 0118 118 05</b>

**Illustration**



**Scale drawing**



**Contact Arrangement**

	X	Y
1	-3,50	0,00
2	0,00	3,50
3	3,50	0,00
4	-2,47	2,47
5	2,47	2,47

You can find the item description on the next page.

**Technical data**

**Common values**

Connector Design	Female angled connector
Connector locking system	screw
Termination	Solder
Wire gauge (mm)	0.75 mm <sup>2</sup>
Wire gauge (AWG)	20
Cable outlet	4 - 6 mm
Upper temperature	95 °C
Lower temperature	-40 °C

**Electrical values**

Rated voltage	60 V
Rated impulse voltage	500 V
Pollution degree	1
Overvoltage category	I
Material group	III
Rated current (40°C)	6 A
Volume resistivity	≤ 3 mΩ
EMV compliance	not shielded
Degree of protection	IP67
Mechanical operation	> 500 mating cycles

**Material**

Material of contact	CuSn (Bronze)
Contact plating	Au (Gold)
Material of contact body	PBT (UL 94 V-0)
Material of housing	PA (UL 94 HB)

**Contacts: 5 Stereo, Female angled connector, cable outlet 4 - 6 mm, gold plated contacts**

Product	<b>Contacts: 5 Stereo, female angled connector, cable outlet 4 - 6 mm</b>	Area	<b>M16 IP67 Series 723</b>
Pole	<b>5 Stereo</b>	Article number	<b>99 0118 118 05</b>

Item description

