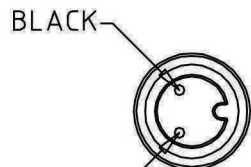
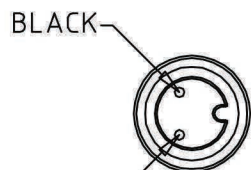


版本: X1



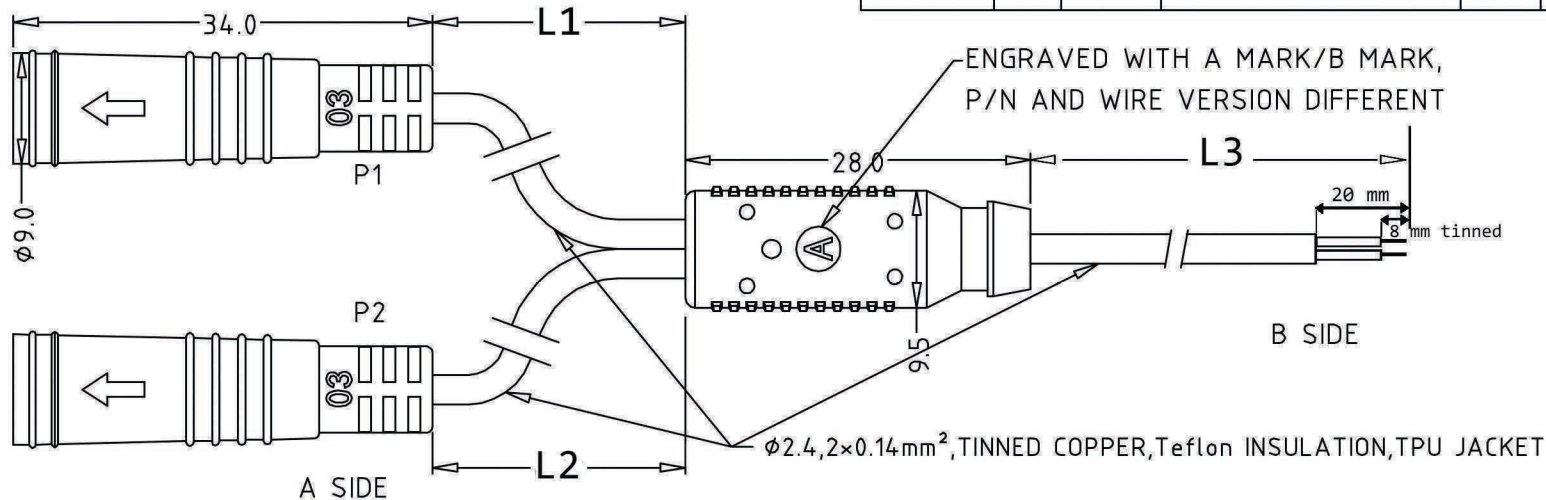
BLACK

BLUE



BLACK

BLUE



ECN. NO.	REV.	DATE	DESCRIPTION	CHANGE	APPD.
	x1	08/03/2015	初版发行	/	

1. Electrical Characteristics:

- 1.1: Low level contact resistance: 10 milliohm Max.
- 1.2: Dielectric withstanding voltage: 500VAC.
- 1.3: Insulation resistance: 20 megaohm Min.

2. Mechanical Characteristics:

- 2.1: Durability: 200 cycle.

3. Performance:

- 3.1: Voltage rating: 48V AC, 60V DC.
- 3.2: Current rating:
2Amps ($\phi 0.6$ pin and socket).
- 3.3: Operation temperature: $-25^{\circ}\text{C} \sim +80^{\circ}\text{C}$.

4. Requirement:

- 4.1: Environmental protection, accord ROHS 2.0.

5. Applicable wire:

$\phi 0.6$ Contact: 0.2mm^2 MAX.

6. Degree of protection:

IP66 in mated condition

L1 = 178mm tolerance +8mm/-0mm
 L2 = 178mm tolerance +8mm/-0mm
 L3 = 1750mm tolerance +10mm/-0mm

PART NO.	MARK	NO.	A SIDE		B SIDE
			P1	P2	
6300.0005	A	1	BLACK	BLACK	BLACK
		2	BLUE	BLUE	BLUE

MAT'L: N/A		Higo 上海海固电器设备有限公司 Shang hai Higo Electronic Technology Co., Ltd.			
UNITS: mm		TITLE: 1T2 CABLE		PART NO.:	
X.±: 8	X°.±: 5°	APPD:		DWG NO.:	
.X.±: 0.5	.X°.±: 2°	CHED:			
.XX.±: 0.05	.XX°.±: 1°	DRAW: Gary zhou 08/03/2015		SCALE SHEET REV. N/A 1/1	