



inserts:		page:
CD	64 poles + ⊕	59
CT, CTS (10A) *)	64 poles + ⊕	65
CDD	108 poles + ⊕	72
CDS	42 poles + ⊕	81
CSH	24 poles + ⊕	94
CNE, CSE	24 poles + ⊕	107
CCE	24 poles + ⊕	113
CSS	24 poles + ⊕	125
CT, CTSE (16A) *)	24 poles + ⊕	133
CQE	46 poles + ⊕	141
CQEE	64 poles + ⊕	147
CMCE	10+2 (aux) poles + ⊕	152
CMSH	10+2 (aux) poles + ⊕	153
CX	4/8 and 6/6 poles + ⊕	173 and 175
MIXO	6 modules	179-215

*) can be used only in bulkhead mounting housings

insert centre distance: **104 x 27 mm**

bulkhead mounting housings for central lever

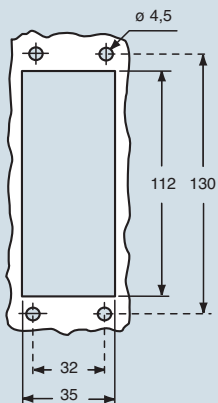


surface mounting housings, high construction with two entries for central lever



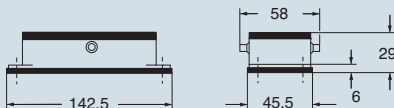
description	part No.	part No.	entry Pg	part No.	entry M
bulkhead mounting with pegs for central lever	CHI 24 YC				
surface mounting, high construction, with pegs, for central lever		CAP 24 YC229	29x2	MAP 24 YC232	32x2

panel cut-out for bulkhead mounting housings in mm



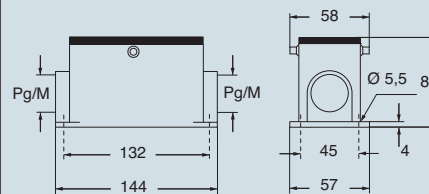
dimensions in mm

CHI YC



dimensions in mm

CAP YC and MAP YC



Even when coding is not required, it is recommended to use CRM and CRF pins with CD and CDD inserts and CRM CX and CRF CX pins with MIXO inserts to reduce movements when fitting and removing the connectors and to avoid contact damages. Within this scope, the DIN 43 652 standard requires a maximum angular longitudinal fluctuation of $\pm 5^\circ$.

CRUIS Type 4/4X/12



dimensions shown are not binding and may be changed without notice

CENTRAL LEVER - size 104.27



inserts:		page:
CD	64 poles + ⊕	59
CDD	108 poles + ⊕	72
CDS	42 poles + ⊕	81
CSH	24 poles + ⊕	94
CNE, CSE	24 poles + ⊕	107
CCE	24 poles + ⊕	113
CSS	24 poles + ⊕	125
CQE	46 poles + ⊕	141
CQEE	64 poles + ⊕	147
CMCE	10+2 (aux) poles + ⊕	152
CMSH	10+2 (aux) poles + ⊕	153
CX	4/8 and 6/6 poles + ⊕	173 and 175
MIXO	6 modules	179-215

insert centre distance:
104 x 27 mm

hoods with central lever



hoods with central lever

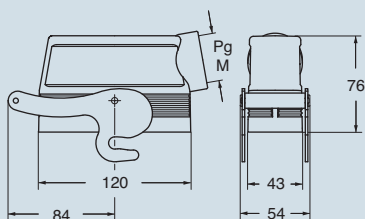


description	part No.		entry Pg		part No.		entry M	
side entry, high construction	CAO 24 YX21	21	MAO 24 YX32	32				
side entry, high construction	CAO 24 YX29	29	MAO 24 YX40	40				
top entry, high construction					CAV 24 YX21	21	MAV 24 YX32	32
top entry, high construction					CAV 24 YX29	29	MAV 24 YX40	40

Even when coding is not required, it is recommended to use CRM and CRF pins with CD and CDD inserts and CRM CX and CRF CX pins with MIXO inserts to reduce movements when fitting and removing the connectors and to avoid contact damages. Within this scope, the DIN 43 652 standard requires a maximum angular longitudinal fluctuation of ±5°.

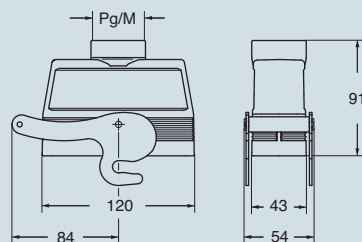
dimensions in mm

CAO..YX and MAO..YX



dimensions in mm

CAV..YX and MAV..YX



CRUS® Type 4/4X/12



dimensions shown are not binding and may be changed without notice

CENTRAL LEVER - size 104.27



inserts:		page:
CD	64 poles + ⊕	59
CDD	108 poles + ⊕	72
CDS	42 poles + ⊕	81
CSH	24 poles + ⊕	94
CNE, CSE	24 poles + ⊕	107
CCE	24 poles + ⊕	113
CSS	24 poles + ⊕	125
CQE	46 poles + ⊕	141
CQEE	64 poles + ⊕	147
CMCE	10+2 (aux) poles + ⊕	152
CMSH	10+2 (aux) poles + ⊕	153
CX	4/8 and 6/6 poles + ⊕	173 and 175
MIXO	6 modules	179-215

insert centre distance:
104 x 27 mm

inclined hoods with central lever with side entry



inclined hoods with central lever with top entry

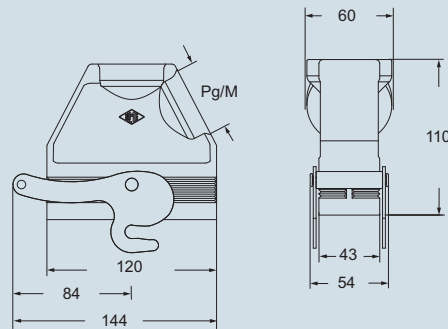


description	part No.		entry		part No.		entry	
			Pg	M			Pg	M
side entry, high construction	CIO 24 YX36	36			MIO 24 YX40	40		
side entry, high construction								
top entry, high construction	CIV 24 YX36	36			MIV 24 YX40	40		
top entry, high construction								

Even when coding is not required, it is recommended to use CRM and CRF pins with CD and CDD inserts and CRM CX and CRF CX pins with MIXO inserts to reduce movements when fitting and removing the connectors and to avoid contact damages. Within this scope, the DIN 43 652 standard requires a maximum angular longitudinal fluctuation of ±5°.

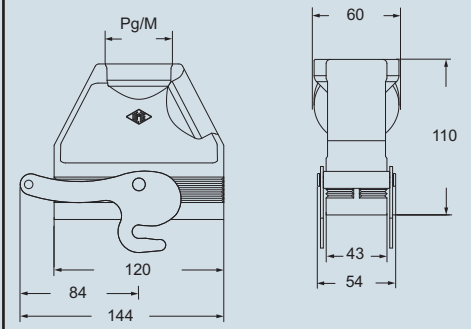
dimensions in mm

CIO..YX and MIO..YX



dimensions in mm

CIV..YX and MIV..YX



dimensions shown are not binding and may be changed without notice

CENTRAL LEVER - size 104.27