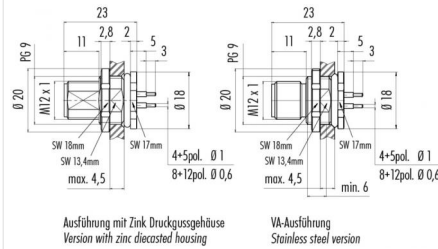


Product **Contacts: 5, Male panel mount connector, screwed from front, dip-soldered, PG 9 VA**
 Area **M12-A Series 713/763**
 Article number **86 2531 1100 00005**

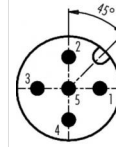
Illustration



Scale drawing



Contact Arrangement



	X	Y
1	2,50	0,00
2	0,00	2,50
3	-2,50	0,00
4	0,00	-2,50
5	0,00	0,00

- 1 braun/brown
- 2 weiß/white
- 3 blau/blue
- 4 schwarz/black
- 5 grau/grey

Geschirmte Versionen: Schirm auf Gehäuse
Shielded versions: shield on housing

You can find the assembly instruction on the next page.

Technical data

General features

Connector Design male panel mount connector
 Connector locking system bolted
 Termination dip-solder
 Wire gauge (mm) 0,25 mm²
 Wire gauge (AWG) 24
 Upper temperature 85 °C
 Lower temperature -40 °C

Cable data

Approval 1 UL

Electrical parameters

Rated voltage 60 V
 Rated impulse voltage 1500 V
 Pollution degree 3
 Overvoltage category II
 Material group II
 Rated current (40°C) 4 A
 Volume resistivity ≤ 3 mΩ
 EMV compliance not shielded
 Degree of protection IP68
 Mechanical operation > 100 Mating cycles

Material

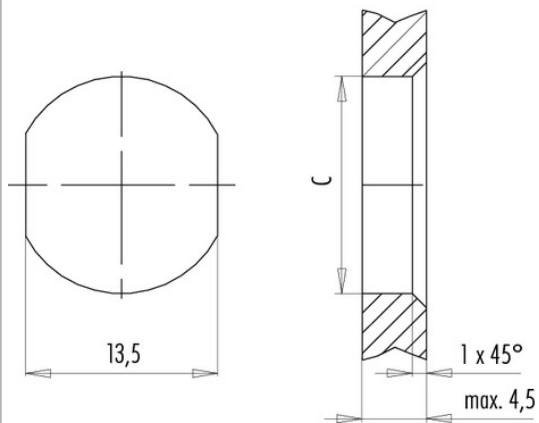
Material of contact CuZn (Messing)
 Contact plating Au (gold)
 Material of contact body PA

Product **Contacts: 5, Male panel mount connector, screwed from front, dip-soldered, PG 9 VA**
 Area **M12-A Series 713/763**
 Article number **86 2531 1100 00005**

Installation instructions / Mounting cutout

Mit Fläche als Verdrehenschutz
With flats as anti-rotation device

Mit Durchgangsbohrung
With bore hole



	C
PG 9	15,3
M16x1,5	16,1

Anzugsdrehmoment/Tightening moment

Metallgehäuse/Metal housing 6,25 Nm
 Kunststoffgehäuse/Plastic housing 3,75 Nm