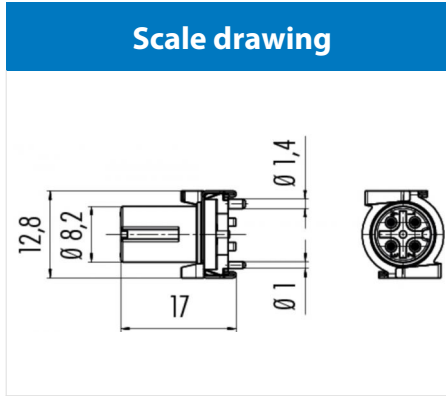


Product	<b>female panel mount connector SMT, shieldable</b>
Area	<b>M12-A Series 713/763</b>
Article number	<b>09 0484 601 08</b>



**Contact Arrangement**

	X	Y
1	-2,69	0,57
2	-0,57	2,69
3	1,66	2,20
4	2,75	0,19
5	1,94	-1,94
6	-0,19	-2,75
7	-2,20	-1,66
8	0,00	0,00

- 1 weiß/white
- 2 braun/brown
- 3 grün/green
- 4 gelb/yellow
- 5 grau/grey
- 6 rosa/pink
- 7 blau/blue
- 8 rot/red

Geschirmte Versionen: Schirm auf Gehäuse oder Pin 8  
Shielded versions: shield on housing or pin 8

**Technical data**

**General features**

Connector Design	integrated socket
Termination	SMT
Upper temperature	85 °C
Lower temperature	-40 °C

**Electrical parameters**

Rated voltage	30 V
Rated impulse voltage	800 V
Pollution degree	3
Overvoltage category	II
Material group	III
Rated current (40°C)	2 A
Volume resistivity	≤ 3 mΩ
Degree of protection	IP67
Mechanical operation	> 100 Mating cycles

**Material**

Material of contact	CuSn (Bronze)
Contact plating	Au (gold)
Material of contact body	LCP - GF30