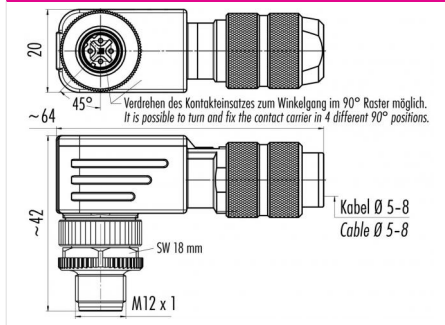


Product	Contacts: 4, Male angled connector, shieldable, CAT 5 screw terminal connection, iris type spring shielding, with die-cast threaded ring, cable outlet 5 - 8 mm, with UL approval	Area Article number	M12-D, M12-X Series 825 D-coding 99 3727 820 04
Pole	4		

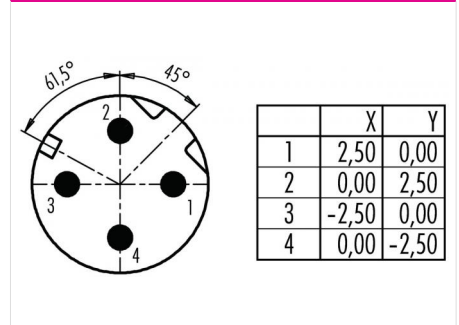
Illustration



Scale drawing



Contact Arrangement



You can find the item description and assembly instruction on the next page.

Technical data

Common values

Connector Design	Male angled connector
Connector locking system	screw
Termination	schrauben
Wire gauge (mm)	0.75 mm ²
Wire gauge (AWG)	18
Cable outlet	5 - 8 mm
Upper temperature	85 °C
Lower temperature	-40 °C

Cable data

material housing	-
Insulation single lead	-
Single lead structure	-
Conductor resistance	-
Bending radius cable fixed	-
Bending radius cable movable	-

Electrical values

Rated voltage	250 V
Rated impulse voltage	2500 V
Pollution degree	3
Overvoltage category	II
Material group	III
Rated current (40°C)	4 A
Volume resistivity	≤ 3 mΩ
EMV compliance	geschirmt
Degree of protection	IP67
Mechanical operation	> 100 mating cycles

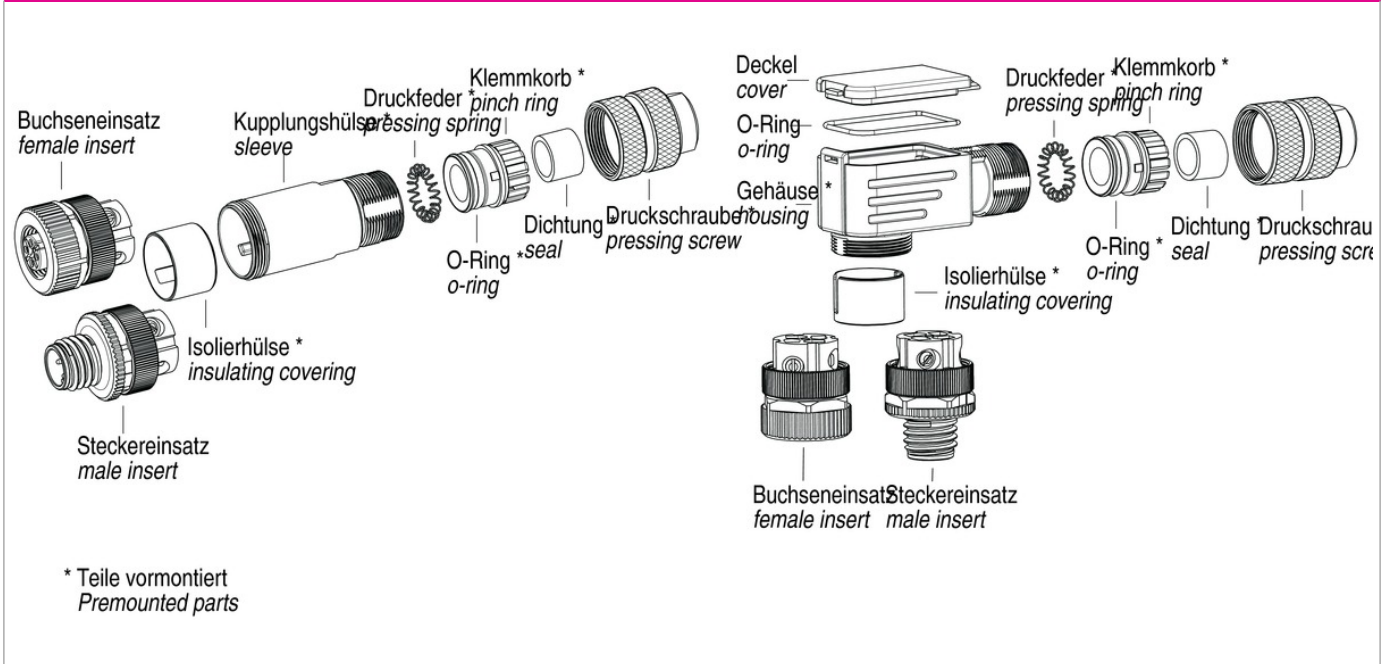
Material

Material of contact	CuZn (Brass)
Contact plating	Au (Gold)
Material of contact body	PA
Material of housing	Nickel-plated zinc die casting

cable outlet: 5 - 8 mm, Contacts 5: Male angled connector, shieldable, CAT 5 screw terminal connection, iris type spring, with UL approval

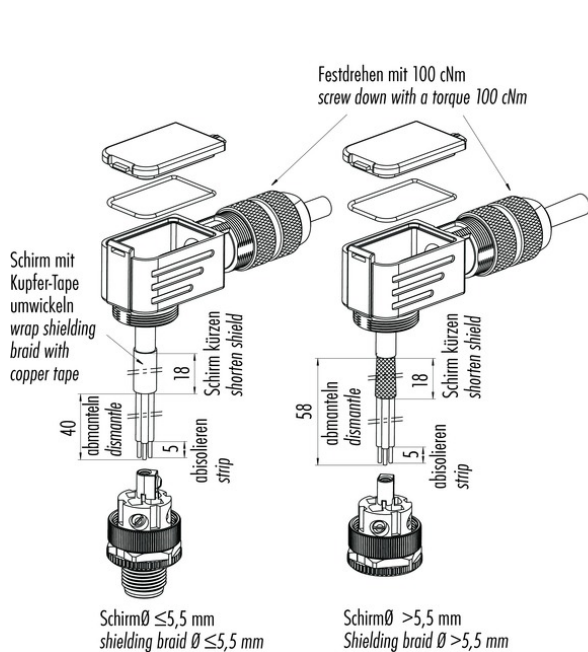
Product	Contacts: 4, Male angled connector, shieldable, CAT 5 screw terminal connection, iris type spring shielding, with die-cast threaded ring, cable outlet 5 - 8 mm, with UL approval	Area Article number	M12-D, M12-X Series 825 D-coding 99 3727 820 04
Pole	4		

Item description



Installation instructions / Mounting cutout

Product	Contacts: 4, Male angled connector, shieldable, CAT 5 screw terminal connection, iris type spring shielding, with die-cast threaded ring, cable outlet 5 - 8 mm, with UL approval	Area	M12-D, M12-X Series 825 D-coding
Pole	4	Article number	99 3727 820 04



Schirmdurchmesser $\leq 5,5$ mm

1. Gehäuse auf Kabel auffädeln.
2. Abmanteln, abisolieren, Schirm kürzen, Schirm auf Kabelmantel umschlagen und mit Kupfer-Tape umwickeln.
3. Litzen anschließen.
4. Gehäuse mit Stecker- bzw. Buchseneinsatz verschrauben.
5. Kabel durch den Kabelabgang so weit zurückziehen, bis noch 2 mm vom Schirm sichtbar ist.
6. Deckel mit Dichtung einsetzen und Druckschraube festdrehen.

Shield-diameter $\leq 5,5$ mm

1. Bead housing to cable.
2. Cut off cable coating, strip single cores, shorten shielding braid, revert to cable jacket and wrap it with copper tape.
3. Connect single wires.
4. Screw housing to male or female contact carrier.
5. Pull back the cable through the outlet until only 2 mm of the shielding braid are visible.
6. Mount lid with seal and fix pressing screw.

Schirmdurchmesser $> 5,5$ mm

1. Gehäuse auf Kabel auffädeln.
2. Abmanteln, abisolieren, Schirm kürzen.
3. Litzen anschließen.
4. Gehäuse mit Stecker- bzw. Buchseneinsatz verschrauben.
5. Kabel durch den Kabelabgang so weit zurückziehen, bis noch 2 mm vom Schirm sichtbar ist.
6. Deckel mit Dichtung einsetzen und Druckschraube festdrehen.

Shield-diameter $> 5,5$ mm

1. Bead housing to cable.
2. Cut off cable coating, strip single cores, shorten shielding braid.
3. Connect single wires.
4. Screw housing to male or female contact carrier.
5. Pull back the cable through the outlet until only 2 mm of the shielding braid are visible.
6. Mount lid with seal and fix pressing screw.