

# Product sheet

## Miniature connector

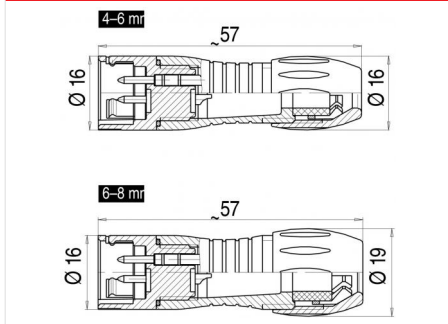


|         |  |                |                                |
|---------|--|----------------|--------------------------------|
| Product | <b>Contacts: 8, cable plug connector, cable outlet 4 - 6 mm, red</b> | Area           | <b>Snap-in IP67 Series 720</b> |
| Pole    | <b>8</b>   | Article number | <b>99 9125 50 08</b>           |

### Illustration



### Scale drawing



### Contact Arrangement

|   | X     | Y     |
|---|-------|-------|
| 1 | -1,35 | -2,79 |
| 2 | 1,35  | -2,79 |
| 3 | 3,02  | -0,69 |
| 4 | 2,43  | 1,93  |
| 5 | 0,00  | 3,10  |
| 6 | -2,43 | 1,93  |
| 7 | -3,02 | -0,69 |
| 8 | 0,00  | 0,00  |

You can find the item description on the next page.

## Technical data

### Common values

|                          |                      |
|--------------------------|----------------------|
| Connector Design         | Cable plug connector |
| Connector locking system | Snap                 |
| Termination              | Solder               |
| Wire gauge (mm)          | 0.25 mm <sup>2</sup> |
| Wire gauge (AWG)         | 24                   |
| Cable outlet             | 4 - 6 mm             |
| Upper temperature        | 85 °C                |
| Lower temperature        | -40 °C               |

### Electrical values

|                       |                     |
|-----------------------|---------------------|
| Rated voltage         | 125 V               |
| Rated impulse voltage | 1500 V              |
| Pollution degree      | 2                   |
| Overvoltage category  | II                  |
| Material group        | II                  |
| Rated current (40°C)  | 2 A                 |
| Volume resistivity    | ≤ 3 mΩ              |
| EMV compliance        | not shielded        |
| Degree of protection  | IP67                |
| Mechanical operation  | > 500 mating cycles |

### Material

|                          |                |
|--------------------------|----------------|
| Material of contact      | CuZn (Brass)   |
| Contact plating          | Au (Gold)      |
| Material of contact body | PA (UL 94 V-0) |
| Material of housing      | PA (UL 94 V-0) |

Contacts: 8, cable plug connector, cable outlet 4 - 6 mm, red

**Product sheet**  
**Miniature connector**

|         |  |                |                                |
|---------|--|----------------|--------------------------------|
| Product | <b>Contacts: 8, cable plug connector, cable outlet 4 - 6 mm, red</b> | Area           | <b>Snap-in IP67 Series 720</b> |
| Pole    | <b>8</b>   | Article number | <b>99 9125 50 08</b>           |

**Item description**

