

Product sheet

Subminiature connector



Product
Pole

**Contacts: 7, female cable connector
overmoulded
7**

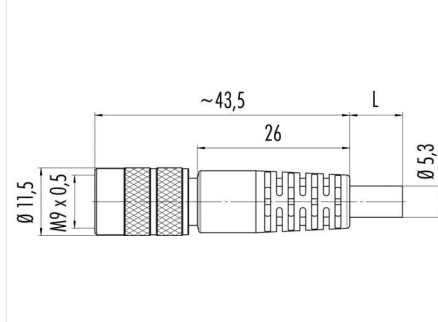
Area
Article number

**M9 IP67 Series 702
79 1422 12 07**

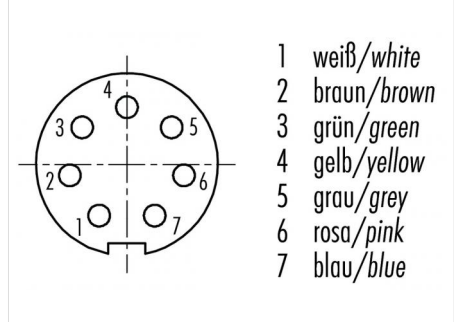
Illustration



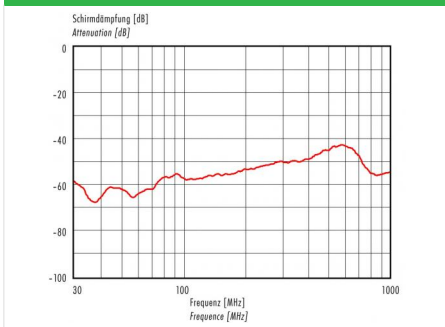
Scale drawing



Contact Arrangement



Attenuation characteristic



Technical data

Common values

Connector Design	Female cable connector
Connector locking system	screw
Termination	overmoulded on cable
Wire gauge (mm)	0.14 mm ²
Wire gauge (AWG)	26
Cable outlet	-
Upper temperature	70 °C
Lower temperature	-25 °C

Electrical values

Rated voltage	125 V
Rated impulse voltage	1500 V
Pollution degree	1
Overvoltage category	II
Material group	III
Rated current (40°C)	1 A
Volume resistivity	≤ 3 mΩ
EMV compliance	shielded
Degree of protection	IP67
Mechanical operation	> 500 mating cycles

Cable data

material housing	PUR
Insulation single lead	PVC
Single lead structure	18 x 0.10 mm
Cable sheath Ø	5.3
Conductor resistance	75Ω/Km
Bending radius cable fixed	Min. 53 mm
Bending radius cable movable	Min. 80 mm
Cable diameter	5.3

Material

Material of contact	CuSn (Bronze)
Contact plating	Au (Gold)
Material of contact body	PBT (UL 94 V-0)
Material of housing	PUR

Contacts: 7, Female cable connector overmoulded, shielded, cable length 2 m