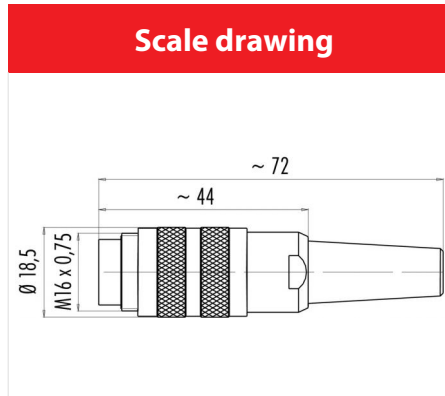


# Product sheet

## Miniature connector



Product	<b>Contacts: 16, Cable plug connector with solder eye, shieldable, cable outlet 6 – 8 mm</b>	Area	<b>M16 IP40 Series 581</b>
Pole	<b>16</b>	Article number	<b>99 2037 02 16</b>



### Contact Arrangement

	X	Y
A	-2,50	-4,00
B	-4,00	-2,25
C	-4,25	0,00
D	-4,00	2,40
E	-2,30	4,00
F	0,00	4,25
G	2,30	4,00
H	4,00	2,40
I	4,25	0,00
J	4,00	-2,25
K	2,50	-4,00
L	0,00	-2,60
M	-2,45	-0,80
N	-1,50	2,10
O	1,50	2,10
P	2,40	-0,80
R		

You can find the item description on the next page.

## Technical data

### Common values

Connector Design	Cable plug connector
Connector locking system	screw
Termination	Solder
Wire gauge (mm)	0.25 mm <sup>2</sup>
Wire gauge (AWG)	24
Cable outlet	6 - 7.8 mm
Upper temperature	85 °C
Lower temperature	-40 °C

### Electrical values

Rated voltage	60 V
Rated impulse voltage	500 V
Pollution degree	1
Overvoltage category	I
Material group	III
Rated current (40°C)	3 A
Volume resistivity	≤ 3 mΩ
EMV compliance	shielded
Degree of protection	IP40
Mechanical operation	> 500 mating cycles

### Material

Material of contact	CuZn (Brass)
Contact plating	Au (Gold)
Material of contact body	PBT (UL 94 V-0)
Material of housing	CuZn (Brass nickel-plated)

Contacts: 16, Cable plug connector with solder eye, shieldable, cable outlet 6 – 8 mm, gold plated contacts

Product	<b>Contacts: 16, Cable plug connector with solder eye, shieldable, cable outlet 6 – 8 mm</b>	Area	<b>M16 IP40 Series 581</b>
Pole	<b>16</b>	Article number	<b>99 2037 02 16</b>

**Item description**

