

Product sheet

Output connector

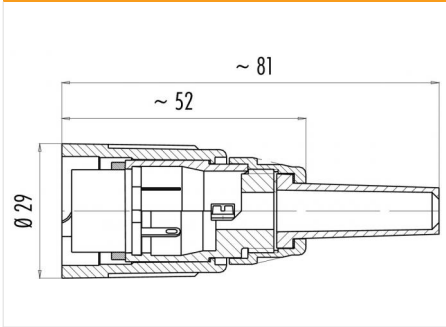


Product Pole	Contacts: 12, female cable connector 12	Area Article number	Bayonet IP40 Power Series 690 09 0468 00 12
--------------	---------------------------------------------------	---------------------	-------------------------------------------------------

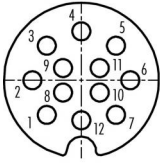
Illustration



Scale drawing



Contact Arrangement



	X	Y
1	-4,24	-4,24
2	-6,00	0,00
3	-4,24	4,24
4	0,00	6,00
5	4,24	4,24
6	6,00	0,00
7	4,24	-4,24
8	-2,25	-5,0
9	-2,25	1,50
10	2,25	-1,50
11	2,25	1,50
12	0,00	-4,90

You can find the item description on the next page.

Technical data

Common values

Connector Design	Female cable connector
Connector locking system	Bayonet
Termination	Solder
Wire gauge (mm)	0.75 mm ²
Wire gauge (AWG)	20
Cable outlet	5 - 8 mm
Upper temperature	85 °C
Lower temperature	-40 °C

Electrical values

Rated voltage	125 V
Rated impulse voltage	1500 V
Pollution degree	1
Overvoltage category	II
Material group	III
Rated current (40°C)	5 A
Volume resistivity	≤ 5 mΩ
EMV compliance	not shielded
Degree of protection	IP40
Mechanical operation	> 500 mating cycles

Material

Material of contact	CuSn (Bronze)
Contact plating	Ag (Silver)
Material of contact body	PET (UL 94 V-0)
Material of housing	GD-Al (anodised)

Contacts: 12, female cable connector

Product sheet

Output connector

Product
Pole

Contacts: 12, female cable connector
12

Area
Article number

Bayonet IP40 Power Series 690
09 0468 00 12

Item description

