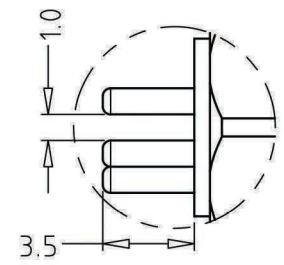
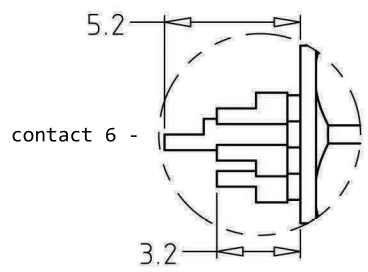
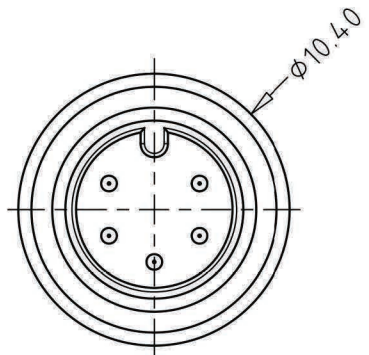
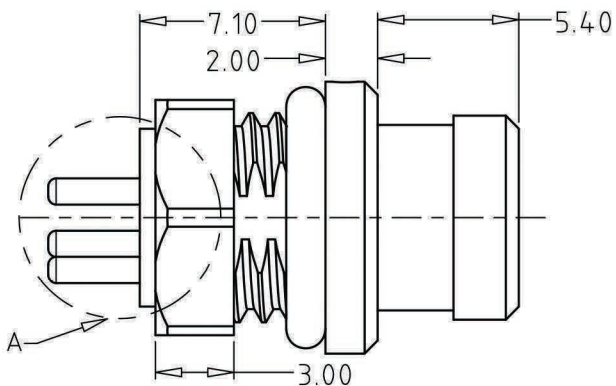


版本: X2

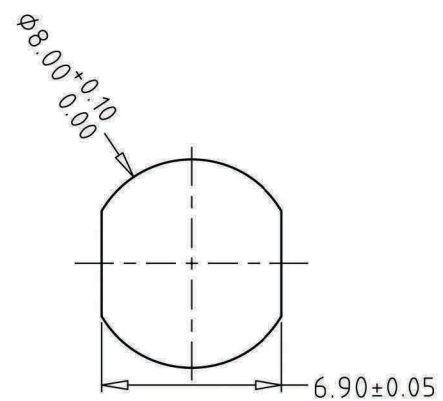
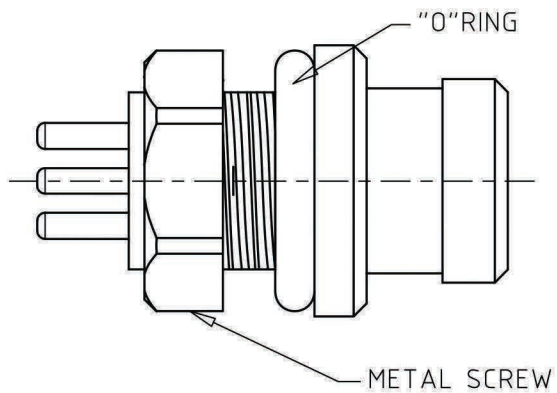
7	8	9	10
ECN. NO.	REV.	DATE	DESCRIPTION
	X1	08/13/2015	初版发行
	X2	09/02/2015	ADD SOLDER WIRES TYPE
			CHANGE APPD.
			Gary zhou



VIEW:A(SOLDER WIRES)

VIEW:A(DIP)

SOLDER TYPE DIFFERENT(DIP/SOLDER WIRES), CONTACT AND P/N DIFFERENT



RECOMMENDED PANEL CUT OUT

- Electrical Characteristics:
 - Low level contact resistance: 10 milliohm Max.
 - Dielectric withstanding voltage: 500VAC.
 - Insulation resistance: 20 megaohm Min.
- Mechanical Characteristics:
 - Durability: 200 cycle.
- Performance:
 - Voltage rating: 48V AC, 60V DC.
 - Current rating: 2Amps ($\phi 0.6$ pin and socket).
 - Operation temperature: $-25^{\circ}\text{C} \sim +80^{\circ}\text{C}$.
- Requirement:
 - Environmental protection, accord ROHS 2.0.
- Applicable wire: $\phi 0.6$ Contact: 0.2mm^2 MAX.
- Degree of protection: IP66 in mated condition

PART NO.(SOLDER WIRES)	Z209BGC02000000	Z309BGC02000000	Z409BGC02000000	Z509BGC02000000	Z609BGC02000000
PART NO.(DIP)	Z209BGC04000000	Z309BGC04000000	Z409BGC04000000	Z509BGC04000000	Z609BGC04000000
HOLE STATION VIEW					
COLOUR	RED	YELLOW	BLUE	GREEN	PURPLE

MAT'L: 见技术要求栏

Higo 上海海固电器设备有限公司
Shang hai Higo Electronic Technology Co., Ltd.

UNITS: mm TITLE: MINI B TYPE MALE PANEL MOUNT CONNECTOR PART NO.: SEE TABLE

X.±: 5 X°.±: 5° APPD: DWG NO.:

.X±: 0.30 .X°.±: 2° CHED: SCALE SHEET REV. N/A 1/1

.XX±: 0.15 .XX°.±: 1° DRAW: Gary zhou 08/13/2015