

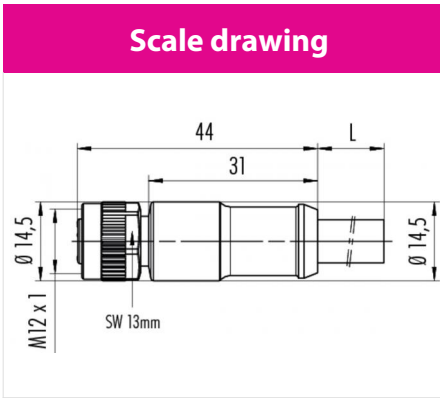
Product **Contacts: 3+PE, Female cable connector, power, 5-coding, cable outlet 8 -10 mm**

Area **M12-S Series 814**
 Article number **77 0690 0000 50704-0500**

Illustration



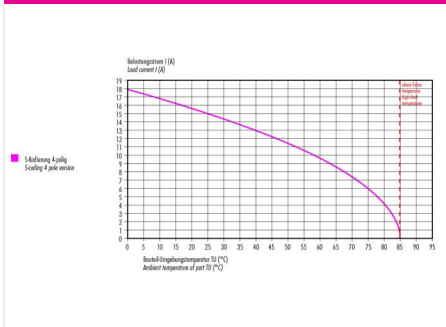
Scale drawing



Contact Arrangement

	X	Y
1	2,55	0,00
2	0,00	-2,55
3	-2,55	0,00
PE	0,00	2,55

Attenuation characteristics



You can find the assembly instruction on the next page.

Technical data

General features

Connector Design Cable socket
 Connector locking system bolted
 Termination removable screw
 Wire gauge (mm) max. 1,5 mm²
 Wire gauge (AWG) 16
 Cable outlet 8 - 10 mm
 Upper temperature 85 °C
 Lower temperature -40 °C

Cable data

material housing PUR

Electrical parameters

Rated voltage 630 V
 Rated impulse voltage 6000 V
 Pollution degree 3
 Overvoltage category III
 Material group III
 Rated current (40°C) 12 A
 Volume resistivity ≤ 3 mΩ
 Degree of protection IP67
 Mechanical operation > 50 Mating cycles

Material

Material of contact CuZn (Messing)
 Contact plating Au (gold)
 Material of contact body PA

Product **Contacts: 3+PE, Female cable connector, power, 5-coding, cable outlet 8 -10 mm**

Area **M12-S Series 814**
Article number **77 0690 0000 50704-0500**

Installation instructions / Mounting cutout

