
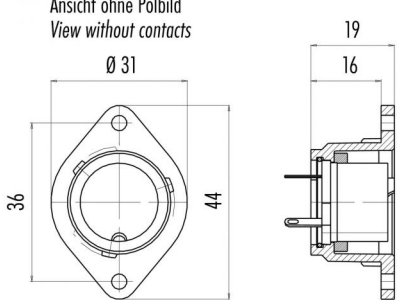
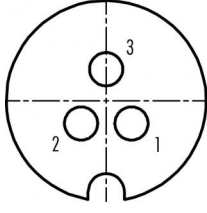


Product	Contacts: 3, female panel mount connector	Area	Bayonet IP40 Power Series 690
Pole	3	Article number	09 0058 00 03

Illustration	Scale drawing	Contact Arrangement												
	<p>Ansicht ohne Polbild View without contacts</p> 	 <table border="1" style="margin-left: 20px;"> <thead> <tr> <th></th> <th>X</th> <th>Y</th> </tr> </thead> <tbody> <tr> <td>1</td> <td>2,39</td> <td>-2,14</td> </tr> <tr> <td>2</td> <td>-2,39</td> <td>-2,14</td> </tr> <tr> <td>3</td> <td>0,00</td> <td>3,00</td> </tr> </tbody> </table>		X	Y	1	2,39	-2,14	2	-2,39	-2,14	3	0,00	3,00
	X	Y												
1	2,39	-2,14												
2	-2,39	-2,14												
3	0,00	3,00												

You can find the item description and assembly instruction on the next page.

Technical data

Common values

Connector Design	Female panel mount connector
Connector locking system	Bayonet
Termination	Solder
Wire gauge (mm)	2.50 mm ²
Wire gauge (AWG)	14
Cable outlet	-
Upper temperature	85 °C
Lower temperature	-40 °C

Electrical values

Rated voltage	250 V
Rated impulse voltage	2500 V
Pollution degree	1
Overvoltage category	II
Material group	III
Rated current (40°C)	10 A
Volume resistivity	≤ 5 mΩ
EMV compliance	not shielded
Degree of protection	IP40
Mechanical operation	> 500 mating cycles

Material

Material of contact	CuSn (Bronze)
Contact plating	Ag (Silver)
Material of contact body	PBT (UL 94 V-0)
Material of housing	PBT (UL 94 V-0)

Contacts: 3, female panel mount connector

Product sheet

Output connector



Product

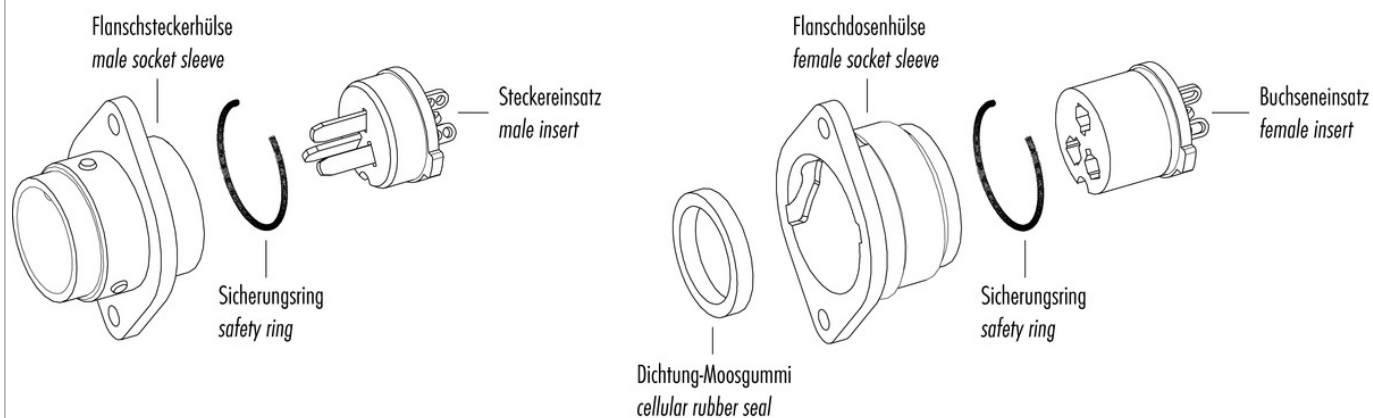
Contacts: 3, female panel mount connector
3

Area
Article number

Bayonet IP40 Power Series 690
09 0058 00 03

Pole

Item description



Installation instructions / Mounting cutout

