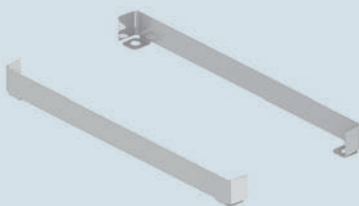


inserts:	page:
CD .....	40, 64 poles + ⊕ 57 and 59
CDD .....	24, 42, 72, 108 poles + ⊕ 67-72
CDS .....	9, 18, 27, 42 poles + ⊕ 78-81
CSH .....	6, 10, 16, 24 poles + ⊕ 91-94
CNE, CSE .....	6, 10, 16, 24 poles + ⊕ 104-107
CCE .....	6, 10, 16, 24 poles + ⊕ 110-113
CSS .....	6, 10, 16, 24 poles + ⊕ 122-125
CT, CTSE .....	6, 10, 16, 24 poles + ⊕ 130-133
CQE .....	10, 18, 32, 46 poles + ⊕ 138-141
CQEE .....	40, 64 poles + ⊕ 146-147
CMCE .....	3, 6, 10, 16+2 (aux) poles + ⊕ 148-158
CMSH .....	3, 6, 10+2 (aux) poles + ⊕ 149-153
CP .....	6 poles + ⊕ 162
CX .....	8/24, 6/36, 12/2 poles + ⊕ 169-171

insert centre distance:  
**44 X 27 mm, 57 x 27 mm**  
**77,5 x 27 mm, 104 x 27 mm**

optional PE jumpers



**NEW**

description

part No.

galvanized brass, to be optionally used with T-TYPE enclosures series and COB systems.

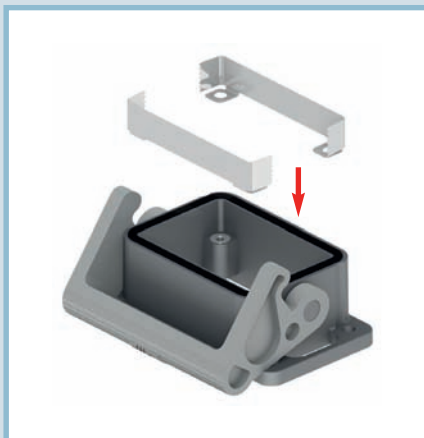
- for inserts "44.27" size
- for inserts "57.27" size
- for inserts "77.27" size
- for inserts "104.27" size

- CR 06 BPE**
- CR 10 BPE**
- CR 16 BPE**
- CR 24 BPE**

CR...BPE accessories PE (protective earth) jumpers could be mounted under the connector inserts for the connection of the two insert's PE plates.

To guarantee to proper alignment of the insert inside the enclosure, it is necessary to use both jumpers supplied (in the same housing or hood); the jumpers are not usable individually.

Furthermore the user is responsible for verifying the continuity of the PE connection ⊕ (male and female) independently of using CR..BPE earth jumpers.



dimensions shown are not binding and may be changed without notice

Accessories