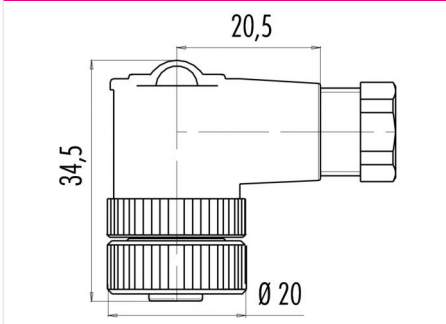


Product	Contacts: 2+PE, female angled connector, thread M12x1, screw, cable outlet 4 - 6 mm	Area	M12-US Series 815
Pole	2+PE	Article number	99 2530 24 03

Illustration



Scale drawing



Contact Arrangement

	X	Y
1	0,00	1,90
2	1,65	-0,95
3	-1,65	-0,95

You can find the item description and assembly instruction on the next page.

Technical data

Common values

Connector Design	Female angled connector
Connector locking system	Screw M12 x 1
Termination	Screwing
Wire gauge (mm)	0.75 mm ²
Wire gauge (AWG)	18
Cable outlet	4 - 6 mm
Upper temperature	85 °C
Lower temperature	-25 °C

Cable data

material housing	-
Insulation single lead	-
Single lead structure	-
Conductor resistance	-
Bending radius cable fixed	-
Bending radius cable movable	-

Electrical values

Rated voltage	250 V
Rated impulse voltage	2500 V
Pollution degree	3
Overvoltage category	II
Material group	II
Rated current (40°C)	4 A
Volume resistivity	≤ 8 mΩ
EMV compliance	not shielded
Degree of protection	IP67
Mechanical operation	> 50 mating cycles

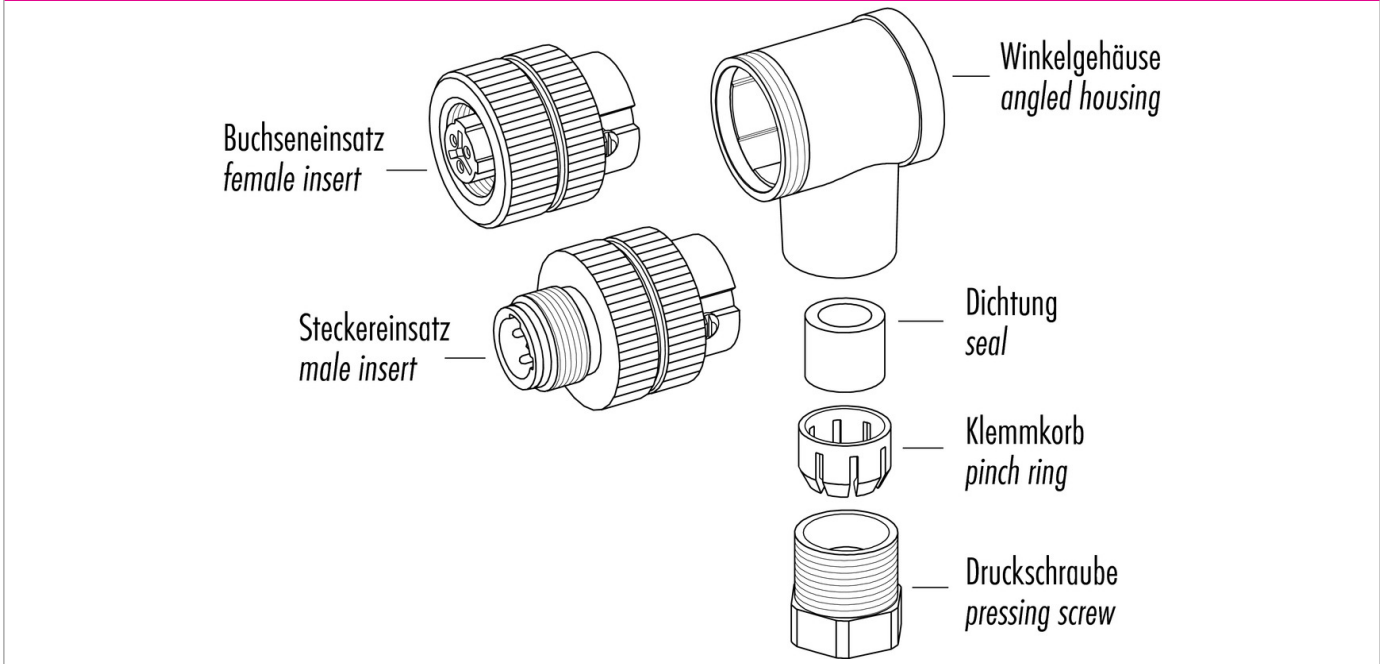
Material

Material of contact	CuSn (Bronze)
Contact plating	CuSnZn (Optaloy)
Material of contact body	PA
Material of housing	PA

cable outlet: 4 - 6 mm, Contacts: 2+PE, Female angled connector M12 x 1, screw

Product	Contacts: 2+PE, female angled connector, thread M12x1, screw, cable outlet 4 - 6 mm	Area	M12-US Series 815
Pole	2+PE	Article number	99 2530 24 03

Item description



Installation instructions / Mounting cutout

