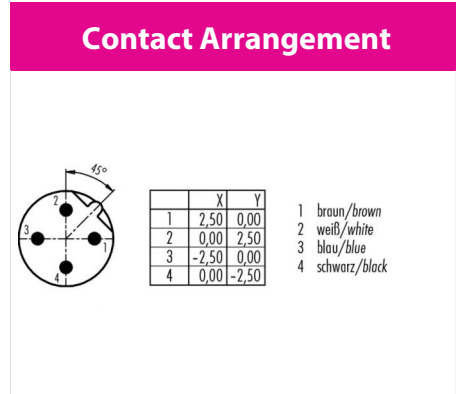
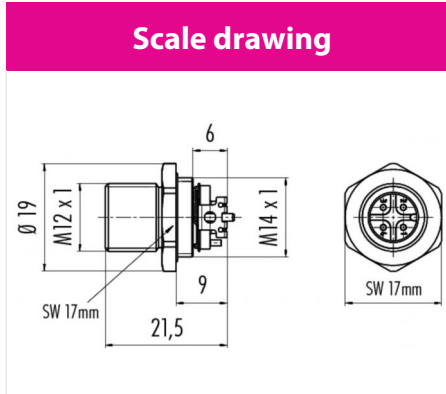
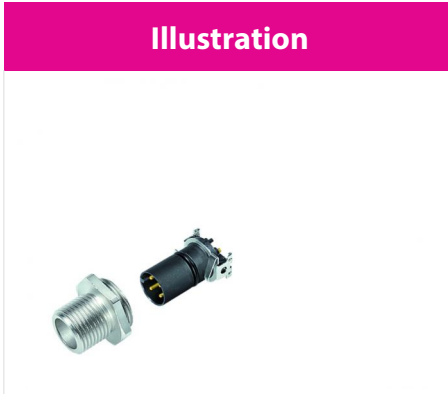


Product	male panel mount connector SMT, with housing, shieldable
Area	M12-B Series 715/766
Article number	99 4431 401 04



Technical data

General features

Termination	SMT
Upper temperature	-40 °C
Lower temperature	85 °C

Electrical parameters

Rated impulse voltage	2500 V
Pollution degree	3
Overvoltage category	III
Material group	III
Rated current (40°C)	4A
Volume resistivity	≤ 3 mΩ
EMV compliance	shieldable
Degree of protection	IP67
Mechanical operation	> 100 Mating cycles

Material

Material of contact	CuZn (Messing)
Contact plating	Au (gold)
Material of contact body	LCP