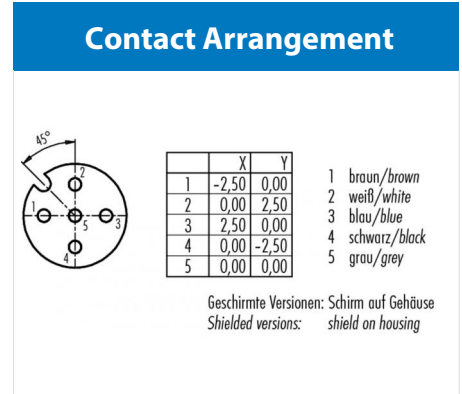
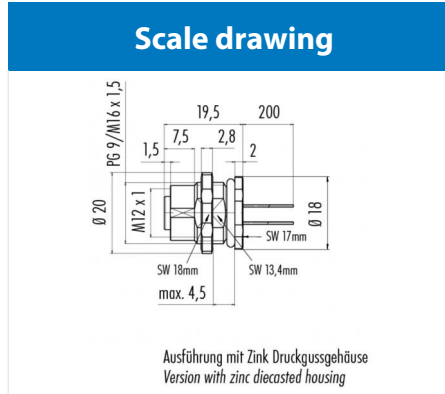


Product **Contacts: 5, Female panel mount connector, screwed from front, with single wires, 0.25 mm², M16 x 1.5**

Area **M12-A Series 713/763**
Article number **76 0632 1011 00005-0200**



You can find the assembly instruction on the next page.

Technical data

General features

Connector Design	female panel mount connector
Connector locking system	bolted
Termination	Strands
Wire gauge (mm)	0,25 mm ²
Wire gauge (AWG)	24
Upper temperature	85 °C
Lower temperature	-40 °C

Electrical parameters

Rated voltage	125 V
Rated impulse voltage	1500 V
Pollution degree	3
Overvoltage category	II
Material group	II
Rated current (40°C)	4 A
Volume resistivity	≤ 3 mΩ
EMV compliance	not shielded
Degree of protection	IP68
Mechanical operation	> 100 Mating cycles

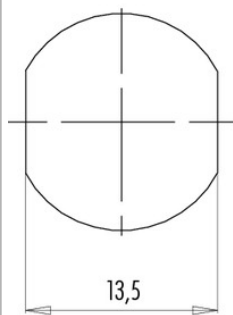
Material

Material of contact	CuSn (Bronze)
Contact plating	Au (gold)
Material of contact body	PA

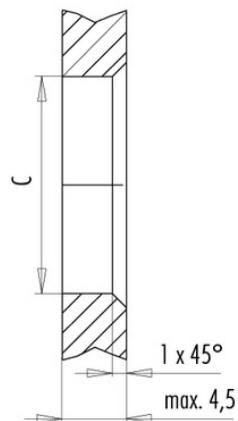
Product **Contacts: 5, Female panel mount connector, screwed from front, with single wires, 0.25 mm², M16 x 1.5**
 Area **M12-A Series 713/763**
 Article number **76 0632 1011 00005-0200**

Installation instructions / Mounting cutout

Mit Fläche als Verdrehschutz
With flats as anti-rotation device



Mit Durchgangsbohrung
With bore hole



	C
PG 9	15,3
M16x1,5	16,1

Anzugsdrehmoment/Tightening moment

Metallgehäuse/Metal housing 6,25 Nm
 Kunststoffgehäuse/Plastic housing 3,75 Nm