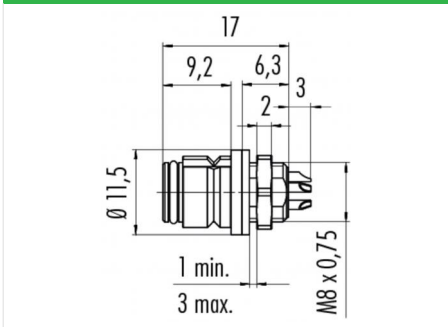


| | |
|----------------|--|
| Product | Contacts: 8, female panel mount connector |
| Area | Snap-in IP67, subminiature Series |
| Article number | 99 9228 490 08 |

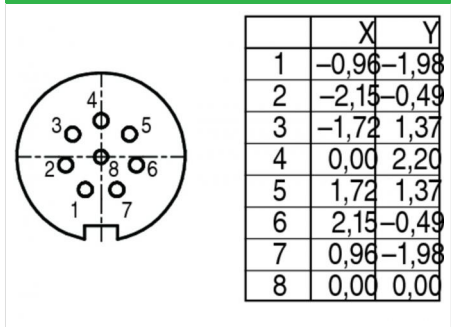
Illustration



Scale drawing



Contact Arrangement



You can find the item description and assembly instruction on the next page.

Technical data

General features

| | |
|--------------------------|------------------------------|
| Connector Design | female panel mount connector |
| Connector locking system | snap |
| Termination | Dip-solder termination |
| Wire gauge (mm) | 0,25 mm ² |
| Wire gauge (AWG) | 24 |
| Cable outlet | 3 - 5 mm |
| Upper temperature | 85 °C |
| Lower temperature | -25 °C |

Electrical parameters

| | |
|-----------------------|---------------------------|
| Rated voltage | 63 V |
| Rated impulse voltage | 800 V |
| Pollution degree | 2 |
| Overvoltage category | II |
| Material group | II |
| Rated current (40°C) | 1 A |
| Volume resistivity | ≤ 3 mΩ |
| EMV compliance | Shielding is not possible |
| Degree of protection | IP67 |

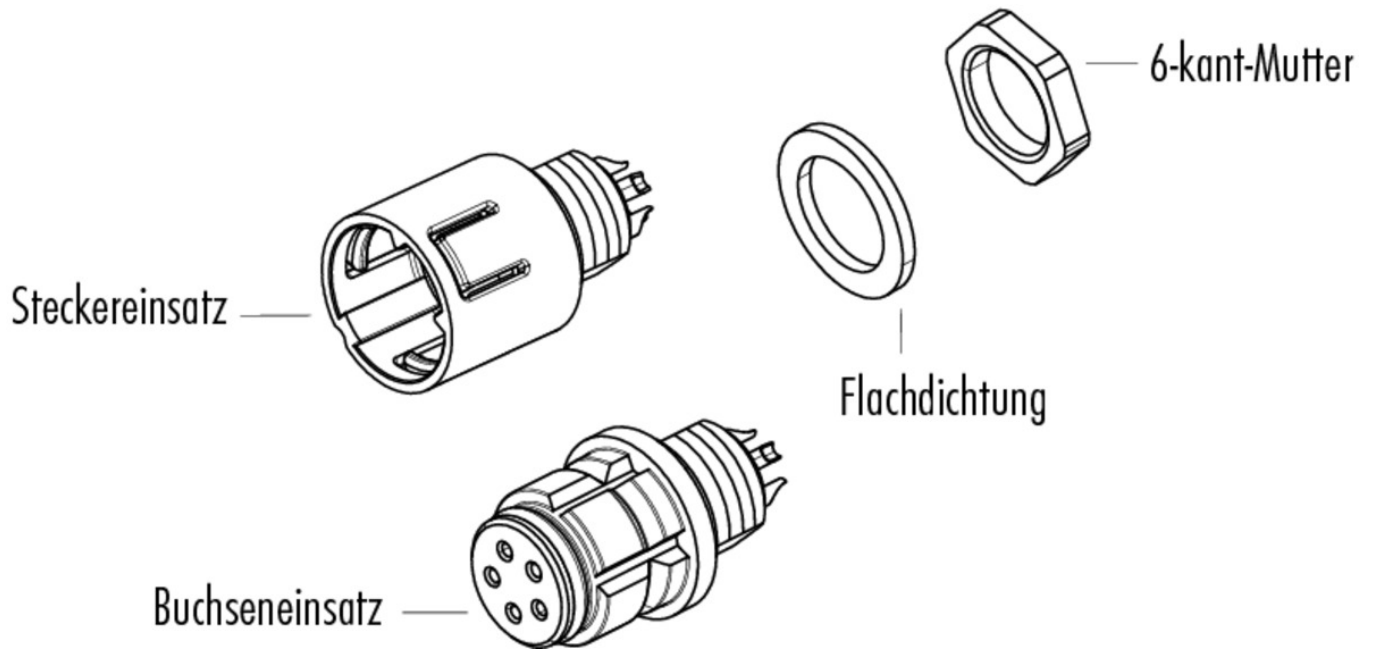
Material

| | |
|--------------------------|----------------|
| Material of contact | CuSn (Bronze) |
| Contact plating | Au (gold) |
| Material of contact body | PA (UL 94 V-0) |

Product **Contacts: 8, female panel mount connector**

Area **Snap-in IP67, subminiature Series**
Article number **99 9228 490 08**

Item description



Installation instructions / Mounting cutout

