

Product sheet

Subminiature connector

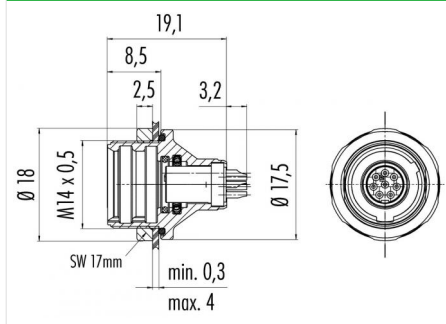


Product	Contacts 3, female panel mount connector IP 67, front screw connection, shielded	Area	Push-Pull IP67 Series 430
Pole	3	Article number	09 4908 081 03

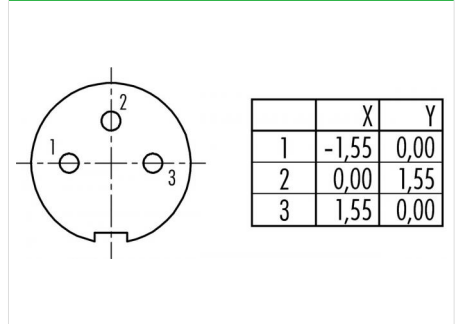
Illustration



Scale drawing



Contact Arrangement



You can find the assembly instruction on the next page.

Technical data

Common values

Connector Design	Female panel mount connector
Connector locking system	Push-Pull
Termination	Solder
Wire gauge (mm)	0.25 mm ²
Wire gauge (AWG)	24
Cable outlet	-
Upper temperature	85 °C
Lower temperature	-40 °C

Electrical values

Rated voltage	125 V
Rated impulse voltage	1500 V
Pollution degree	2
Overvoltage category	I
Material group	II
Rated current (40°C)	4 A
Volume resistivity	≤ 5 mΩ
EMV compliance	shieldable
Degree of protection	IP67
Mechanical operation	> 500 mating cycles

Cable data

material housing	-
Insulation single lead	-
Single lead structure	-
Conductor resistance	-

Material

Material of contact	CuSn (Bronze)
Contact plating	Au (Gold)
Material of contact body	PBT, PA
Material of housing	CuZn (Brass nickel-plated)

Contacts: 3, female panel mount connector IP 67, front screw-connection, shielded

Product

Contacts 3, female panel mount connector
IP 67, front screw connection, shielded
3

Area
Article number

Push-Pull IP67 Series 430
09 4908 081 03

Pole

Installation instructions / Mounting cutout

