

Product sheet
Miniature connector

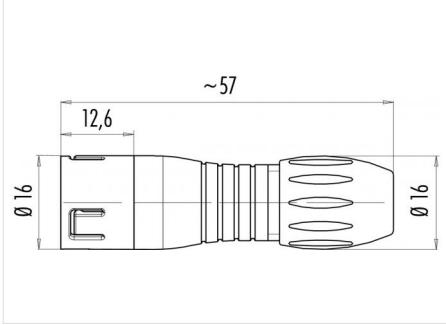


Product	Contacts: 8, cable plug connector, cable outlet 2.5 - 4 mm, black	Area	Snap-in IP67 Series 720
Pole	8	Article number	99 9125 03 08

Illustration



Scale drawing



Contact Arrangement

	X	Y
1	-1,35	-2,79
2	1,35	-2,79
3	3,02	-0,69
4	2,43	1,93
5	0,00	3,10
6	-2,43	1,93
7	-3,02	-0,69
8	0,00	0,00

You can find the item description on the next page.

Technical data

Common values

Connector Design	Cable plug connector
Connector locking system	Snap
Termination	Solder
Wire gauge (mm)	0.25 mm ²
Wire gauge (AWG)	24
Cable outlet	2.5 - 4 mm
Upper temperature	85 °C
Lower temperature	-40 °C

Electrical values

Rated voltage	125 V
Rated impulse voltage	1500 V
Pollution degree	2
Overvoltage category	II
Material group	II
Rated current (40°C)	2 A
Volume resistivity	≤ 3 mΩ
EMV compliance	not shielded
Degree of protection	IP67
Mechanical operation	> 500 mating cycles

Material

Material of contact	CuZn (Brass)
Contact plating	Au (Gold)
Material of contact body	PA (UL 94 V-0)
Material of housing	PA (UL 94 V-0)

Contacts: 8, cable plug connector, cable outlet 2.5 - 4 mm

Product	Contacts: 8, cable plug connector, cable outlet 2.5 - 4 mm, black	Area	Snap-in IP67 Series 720
Pole	8	Article number	99 9125 03 08

Item description

