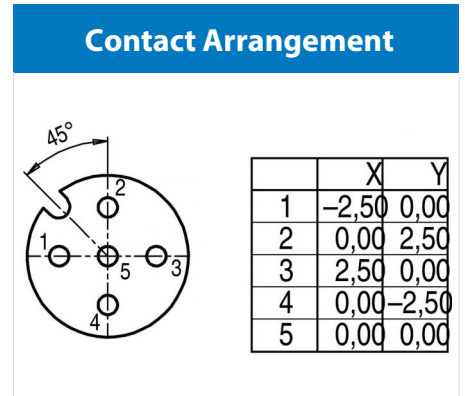
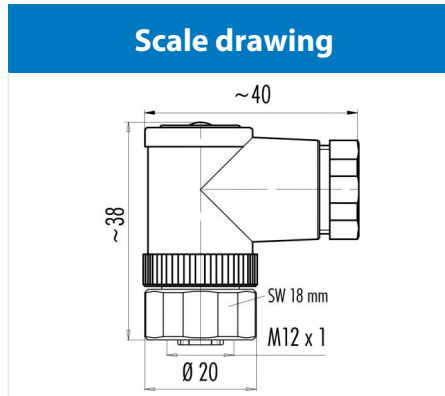


Product	Contacts: 5, Female angled connector, VA threaded lock, screw terminal connection, gold contact plating, UL approval	Area	M12-A Series 713
Pole	5	Article number	99 0436 292 05



You can find the item description and assembly instruction on the next page.

Technical data

Common values

Connector Design	Female angled connector
Connector locking system	screw
Termination	Screwing
Wire gauge (mm)	0.75 mm ²
Wire gauge (AWG)	18
Cable outlet	6 - 8 mm
Upper temperature	85 °C
Lower temperature	-40 °C

Electrical values

Rated voltage	125 V
Rated impulse voltage	1500 V
Pollution degree	3
Overvoltage category	II
Material group	II
Rated current (40°C)	4 A
Volume resistivity	≤ 3 mΩ
EMV compliance	nicht geschirmt
Degree of protection	IP67
Mechanical operation	> 100 mating cycles

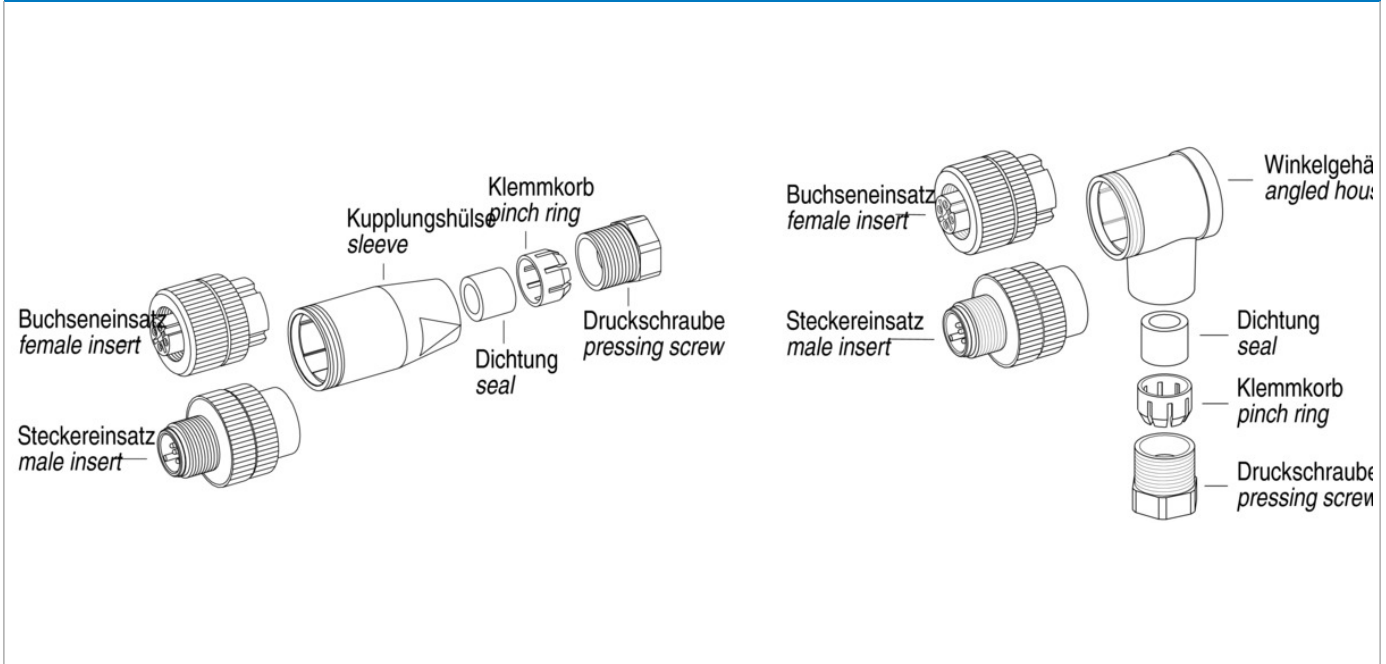
Material

Material of contact	CuZn (Brass)
Contact plating	Au (Gold)
Material of contact body	PA
Material of housing	PBT

Contacts: 5, Cable outlet: 6-8 mm, female angled connector, stainless steel threaded lock, screw terminal connection, gold contact plating, with UL approval

Product	Contacts: 5, Female angled connector, VA threaded lock, screw terminal connection, gold contact plating, UL approval	Area	M12-A Series 713
Pole	5	Article number	99 0436 292 05

Item description



Installation instructions / Mounting cutout

