

Product sheet
Miniature connector

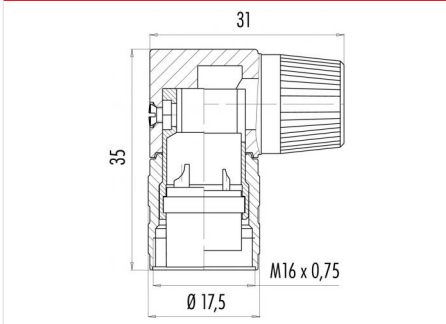


Product	Contacts: 2, female angled connector, cable outlet 6 - 8 mm, plastic model	Area	M16 IP40 Series 682
Pole	2	Article number	09 0134 72 02

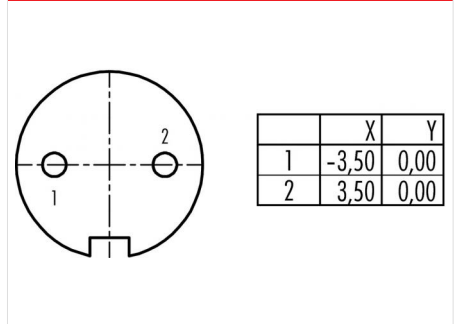
Illustration



Scale drawing



Contact Arrangement



You can find the item description on the next page.

Technical data

Common values

Connector Design	Female angled connector
Connector locking system	screw
Termination	Solder
Wire gauge (mm)	0.75 mm ²
Wire gauge (AWG)	20
Cable outlet	6 - 8 mm
Upper temperature	85 °C
Lower temperature	-40 °C

Electrical values

Rated voltage	250 V
Rated impulse voltage	1500 V
Pollution degree	1
Overvoltage category	I
Material group	III
Rated current (40°C)	7 A
Volume resistivity	≤ 5 mΩ
EMV compliance	not shielded
Degree of protection	IP40
Mechanical operation	> 500 mating cycles

Material

Material of contact	CuSn (Bronze)
Contact plating	Ag (Silver)
Material of contact body	PBT (UL 94 V-0)
Material of housing	PA (UL 94 HB)

Contacts: 2, Female angled connector, cable outlet 6 - 8 mm, plastic model, silver plated contacts

Product sheet
Miniature connector



Product

**Contacts: 2, female angled connector,
cable outlet 6 - 8 mm, plastic model**
2

Area
Article number

M16 IP40 Series 682
09 0134 72 02

Pole

Item description

