

Product sheet
Output connector

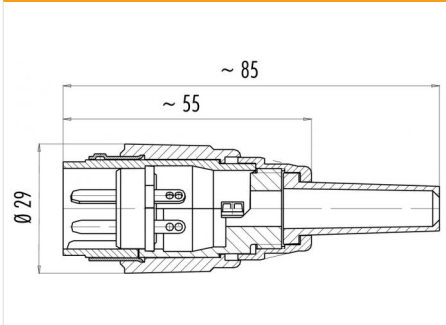


Product Pole	Contacts: 3, Cable plug connector 3	Area Article number	Bayonet IP40 Power Series 690 09 0055 00 03
--------------	---	---------------------	---

Illustration



Scale drawing



Contact Arrangement

	X	Y
1	-2,39	-2,14
2	2,39	-2,14
3	0,00	3,00

You can find the item description on the next page.

Technical data

Common values

Connector Design	Cable plug connector
Connector locking system	Bayonet
Termination	Solder
Wire gauge (mm)	2.50 mm ²
Wire gauge (AWG)	14
Cable outlet	5 - 8 mm
Upper temperature	85 °C
Lower temperature	-40 °C

Electrical values

Rated voltage	250 V
Rated impulse voltage	2500 V
Pollution degree	1
Overvoltage category	II
Material group	III
Rated current (40°C)	10 A
Volume resistivity	≤ 5 mΩ
EMV compliance	not shielded
Degree of protection	IP40
Mechanical operation	> 500 mating cycles

Material

Material of contact	CuZn (Brass)
Contact plating	Ag (Silver)
Material of contact body	PET (UL 94 V-0)
Material of housing	GD-Al (anodised)

Contacts: 3, Cable plug connector

Product
Pole

Contacts: 3, Cable plug connector
3

Area
Article number

Bayonet IP40 Power Series 690
09 0055 00 03

Item description

