

Product sheet

Miniature connector

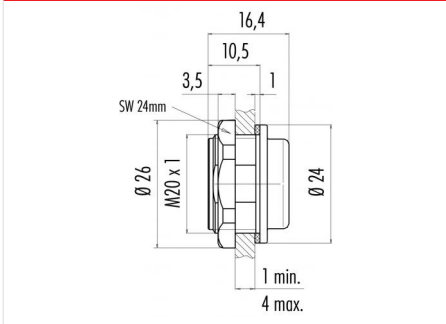


Product	Adaptor for panel mount connector, screwed on from the front	Area	Snap-in IP67 Series 720
Pole	-	Article number	08 2434 000 001

Illustration



Scale drawing



You can find the item description and assembly instruction on the next page.

Technical data

Common values

Connector Design	Adaptor
Termination	-
Wire gauge (mm)	-
Wire gauge (AWG)	-
Cable outlet	-
Upper temperature	85 °C
Lower temperature	-40 °C

Electrical values

Rated current (40°C)	-
Volume resistivity	-
EMV compliance	-
Degree of protection	IP67

Material

Material of contact	-
Contact plating	-
Material of contact body	-
Material of housing	-

Adaptor for panel mount connector, screwed on from the front

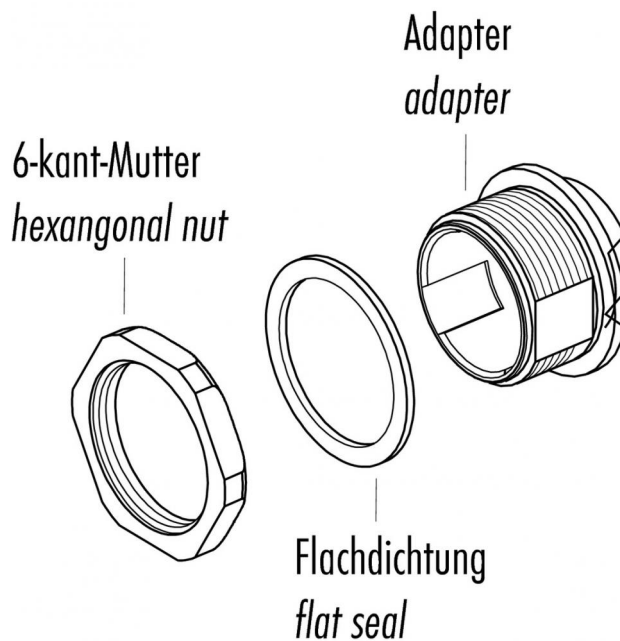
Product
Pole

Adaptor for panel mount connector,
screwed on from the front
-

Area
Article number

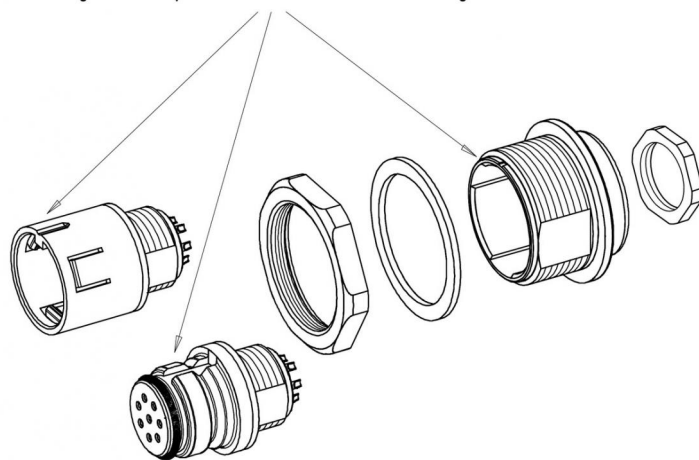
Snap-in IP67 Series 720
08 2434 000 001

Item description



Installation instructions / Mounting cutout

Die Markierung des Adapters muss mit der Kodiernase des Einsatzes übereinstimmen
The marking of the adapter must conform with the coding nut of the insert



Einsätze müssen separat bestellt werden
Inserts have to be ordered separately

Product	Adaptor for panel mount connector, screwed on from the front	Area	Snap-in IP67 Series 720
Pole	-	Article number	08 2434 000 001

Installation instructions / Mounting cutout

