

Product sheet

Miniature connector



Product
Pole

Contacts: 12, female cable connector
12

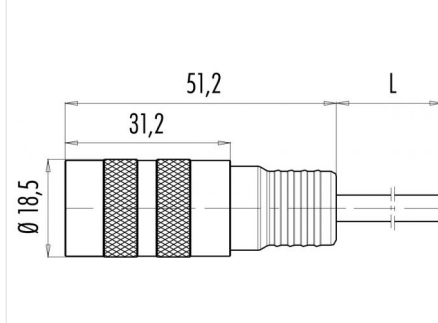
Area
Article number

M16 IP67 Series 425
79 6030 20 12

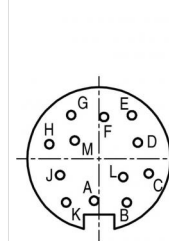
Illustration



Scale drawing



Contact Arrangement



- A weiß
- B braun
- C grün
- D gelb
- E grau
- F rosa
- G blau
- H rot
- J schwarz
- K violett
- L grau/rosa
- M rot/blau

Technical data

Common values

| | |
|--------------------------|---------------------------------|
| Connector Design | Female cable connector |
| Connector locking system | screw |
| Termination | solder, injection-moulded cable |
| Wire gauge (mm) | 0.25 mm ² |
| Wire gauge (AWG) | 24 |
| Cable outlet | - |
| Upper temperature | 70 °C |
| Lower temperature | -25 °C |

Cable data

| | |
|------------------------------|------------|
| material housing | PUR |
| Insulation single lead | PVC |
| Single lead structure | 14x0.15 mm |
| Cable sheath Ø | 7 |
| Bending radius cable fixed | 70 mm |
| Bending radius cable movable | 105 mm |
| Cable diameter | 7 |

Electrical values

| | |
|-----------------------|---------------------|
| Rated voltage | 60 V |
| Rated impulse voltage | 500 V |
| Pollution degree | 1 |
| Overvoltage category | I |
| Material group | III |
| Rated current (40°C) | 3 A |
| Volume resistivity | ≤ 3 mΩ |
| EMV compliance | not shielded |
| Degree of protection | IP67 |
| Mechanical operation | > 500 mating cycles |

Material

| | |
|--------------------------|-----------------|
| Material of contact | CuSn (Bronze) |
| Contact plating | Au (Gold) |
| Material of contact body | PBT (UL 94 V-0) |
| Material of housing | PUR |

Contacts: 12, Cable: 12 x 0.25 mm², female cable connector