

enclosures:  
size "77.27"

enclosures for in-line joints  
degree of protection IP65

**Note:**  
cannot be used with T-TYPE series and IP68 series



description

part No.

without housings (to be ordered separately)  
made in two halves

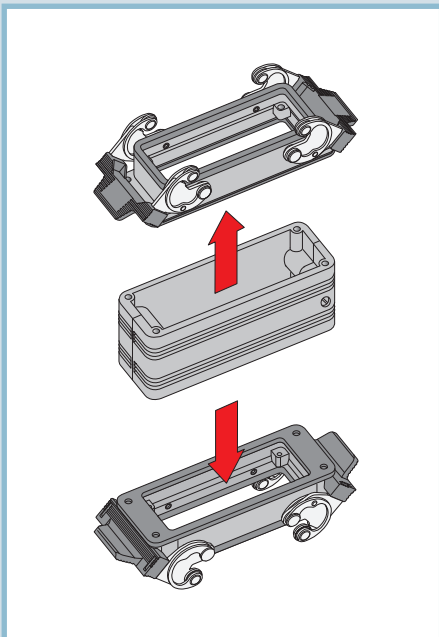
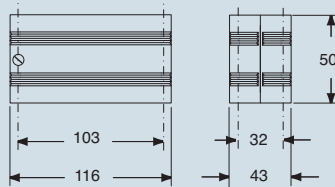
**CYG 16**

**CYG 16 in-line joint**

- The joint is made with the CYG 16 enclosure and two bulkhead housings "size 77.27" with one or two levers (to be ordered separately).
- The joint is ideal for use with extension connections and/or as adaptor.
- Made in two halves to facilitate conductor cabling.
- Two inserts in various combinations may be inserted in the joint (to be ordered separately):

- female/female inserts (as adaptor joint)
- male/male inserts (as adaptor joint)
- female/male inserts (as extension joint)

dimensions in mm



**CAUS**® Type  
4/4X/12

dimensions shown are not binding  
and may be changed without notice