

# Product sheet

## Subminiature connector

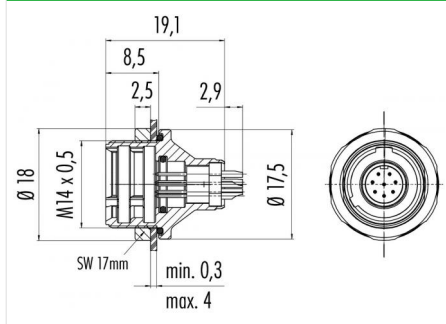


Product	<b>Contacts 4, male panel mount connector IP 67, front screw connection</b>	Area	<b>Push-Pull IP67 Series 430</b>
Pole	<b>4</b>	Article number	<b>09 4911 080 04</b>

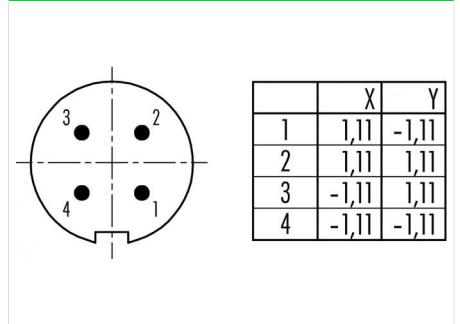
### Illustration



### Scale drawing



### Contact Arrangement



You can find the assembly instruction on the next page.

## Technical data

### Common values

Connector Design	Male panel mount connector
Connector locking system	Push-Pull
Termination	Solder
Wire gauge (mm)	0.25 mm <sup>2</sup>
Wire gauge (AWG)	24
Cable outlet	-
Upper temperature	85 °C
Lower temperature	-40 °C

### Cable data

material housing	-
Insulation single lead	-
Single lead structure	-
Conductor resistance	-

### Electrical values

Rated voltage	125 V
Rated impulse voltage	1500 V
Pollution degree	2
Overvoltage category	I
Material group	II
Rated current (40°C)	3 A
Volume resistivity	≤ 5 mΩ
EMV compliance	not shieldable
Degree of protection	IP67
Mechanical operation	> 500 mating cycles

### Material

Material of contact	CuZn (Brass)
Contact plating	Au (Gold)
Material of contact body	PBT, PA
Material of housing	CuZn (Brass nickel-plated)

Contacts: 4, Male panel mount connector IP 67, front screw-connection

Product

Contacts 4, male panel mount connector IP  
67, front screw connection  
4

Area  
Article number

Push-Pull IP67 Series 430  
09 4911 080 04

Pole

Installation instructions / Mounting cutout

