

# Product sheet

## Output connector



Product Pole

**Contacts: 7, Cable plug connector**  
7

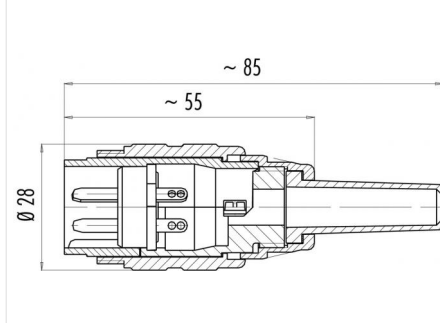
Area Article number

**M25 Power Series 691**  
**09 0041 00 07**

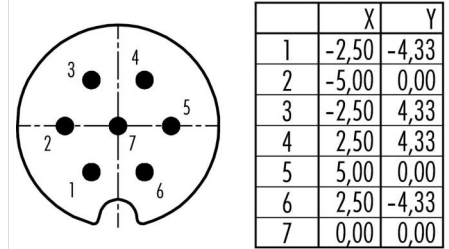
### Illustration



### Scale drawing



### Contact Arrangement



You can find the item description on the next page.

## Technical data

### Common values

|                          |                      |
|--------------------------|----------------------|
| Connector Design         | Cable plug connector |
| Connector locking system | screw                |
| Termination              | Solder               |
| Wire gauge (mm)          | 0.75 mm <sup>2</sup> |
| Wire gauge (AWG)         | 20                   |
| Cable outlet             | 5 - 8 mm             |
| Upper temperature        | 85 °C                |
| Lower temperature        | -40 °C               |

### Electrical values

|                       |                     |
|-----------------------|---------------------|
| Rated voltage         | 250 V               |
| Rated impulse voltage | 2500 V              |
| Pollution degree      | 1                   |
| Overvoltage category  | II                  |
| Material group        | III                 |
| Rated current (40°C)  | 5 A                 |
| Volume resistivity    | ≤ 8 mΩ              |
| EMV compliance        | not shielded        |
| Degree of protection  | IP40                |
| Mechanical operation  | > 500 mating cycles |

### Material

|                          |                  |
|--------------------------|------------------|
| Material of contact      | CuZn (Brass)     |
| Contact plating          | CuSnZn (Optaloy) |
| Material of contact body | PET (UL 94 V-0)  |
| Material of housing      | GD-Al (anodised) |

Contacts: 7, Cable plug connector

# Product sheet

## Output connector



Product  
Pole

**Contacts: 7, Cable plug connector**  
7

Area  
Article number

**M25 Power Series 691**  
**09 0041 00 07**

### Item description

