

# Product sheet

## Output connector



Product Pole

**Contacts: 5, Cable plug connector**  
5

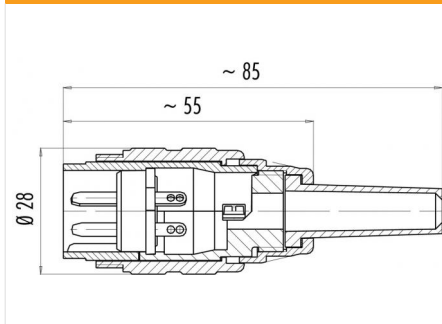
Area Article number

**M25 Power Series 691**  
**09 0037 00 05**

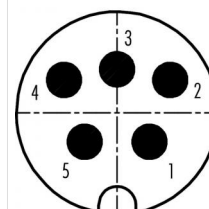
### Illustration



### Scale drawing



### Contact Arrangement



	X	Y
1	3,05	-2,70
2	5,00	3,10
3	0,00	4,10
4	-5,00	3,10
5	-3,05	-2,70

You can find the item description on the next page.

## Technical data

### Common values

Connector Design	Cable plug connector
Connector locking system	screw
Termination	Solder
Wire gauge (mm)	1.50 mm <sup>2</sup>
Wire gauge (AWG)	16
Cable outlet	5 - 8 mm
Upper temperature	85 °C
Lower temperature	-40 °C

### Electrical values

Rated voltage	250 V
Rated impulse voltage	2500 V
Pollution degree	1
Overvoltage category	II
Material group	III
Rated current (40°C)	10 A
Volume resistivity	≤ 5 mΩ
EMV compliance	not shielded
Degree of protection	IP40
Mechanical operation	> 500 mating cycles

### Material

Material of contact	CuZn (Brass)
Contact plating	Ag (Silver)
Material of contact body	PBT (UL 94 V-0)
Material of housing	GD-Al (anodised)

Contacts: 5, Cable plug connector

# Product sheet

## Output connector



Product  
Pole

**Contacts: 5, Cable plug connector**  
5

Area  
Article number

**M25 Power Series 691**  
**09 0037 00 05**

### Item description

