

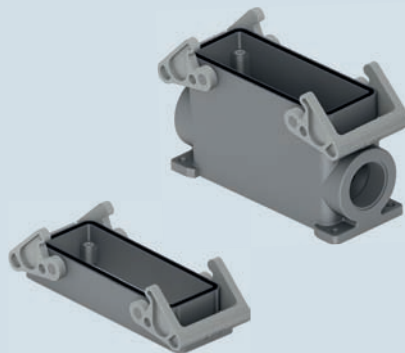


inserts:	page:
CD .....	64 poles + ⊕ 59
CDD .....	108 poles + ⊕ 72
CDS .....	42 poles + ⊕ 81
CSH .....	24 poles + ⊕ 94
CNE, CSE .....	24 poles + ⊕ 107
CCE .....	24 poles + ⊕ 113
CSS .....	24 poles + ⊕ 125
CT, CTSE (16A) * ..	24 poles + ⊕ 133
CQE .....	46 poles + ⊕ 141
CQEE .....	64 poles + ⊕ 147
CMCE .....	10+2 (aux) poles + ⊕ 152
CME, CMSH .....	10+2 (aux) poles + ⊕ 153
CMCE .....	16+2 (aux) poles + ⊕ 158
CME .....	16+2 (aux) poles + ⊕ 159
CX .....	4/8 and 6/6 poles + ⊕ 173 and 175
MIXO .....	6 modules 179-215

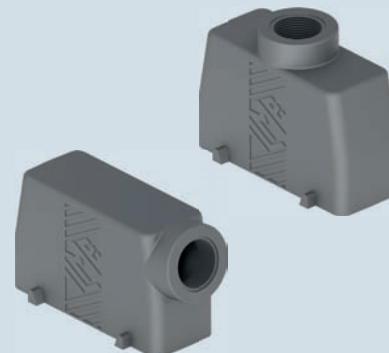
\*) only for standard insulating version TCHI

insert centre distance: **104 x 27 mm**

### housings with double lever



### hoods with 4 pegs

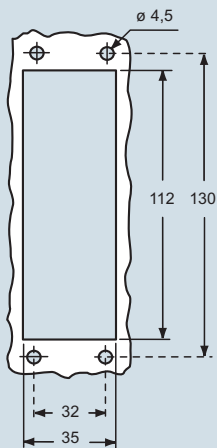


description	part No.	entry M
bulkhead mounting housing with thermoplastic levers	<b>TCHI 24</b>	
surface mounting housing with thermoplastic levers	<b>TMAP 24.32</b>	<b>32</b>
surface mounting housing with thermoplastic levers	<b>TMAP 24.40</b>	<b>40</b>
with pegs, side entry		
with pegs, side entry		

description	part No.	entry M
with pegs, top entry		
with pegs, top entry		

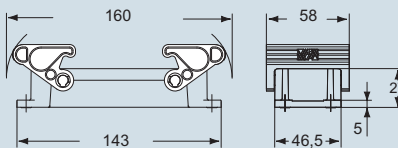
description	part No.	entry M
with pegs, top entry	<b>TMAO 24.32</b>	<b>32</b>
with pegs, top entry	<b>TMAO 24.40</b>	<b>40</b>
with pegs, top entry	<b>TMAV 24.32</b>	<b>32</b>
with pegs, top entry	<b>TMAV 24.40</b>	<b>40</b>

### panel cut-out for bulkhead mounting housing in mm

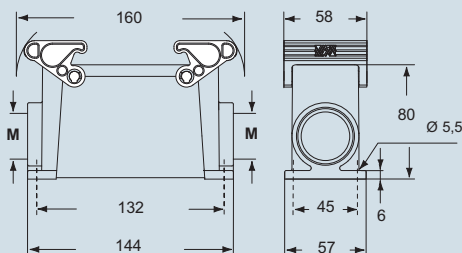


### dimensions in mm

#### TCHI 24

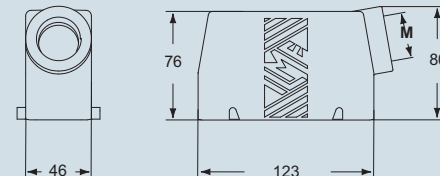


#### TMAP 24.32 and TMAP 24.40

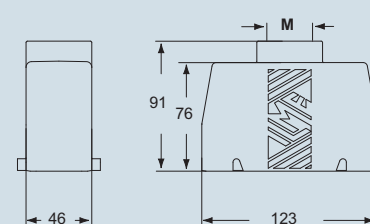


### dimensions in mm

#### TMAO 24.32 and TMAO 24.40



#### TMAV 24.32 and TMAV 24.40



The surface mounting, high construction housings are supplied with an open threaded entry and diametrically opposite a closed threaded entry which can be opened by the user if required (with suitable tool).

**ILME**® Type 12



ambient temperature limits -40 °C / +90 °C

dimensions shown are not binding and may be changed without notice

inserts:	page:
<b>CD</b> ..... 64 poles + ⊕	59
<b>CDD</b> ..... 108 poles + ⊕	72
<b>CDS</b> ..... 42 poles + ⊕	81
<b>CSH</b> ..... 24 poles + ⊕	94
<b>CNE, CSE</b> ..... 24 poles + ⊕	107
<b>CCE</b> ..... 24 poles + ⊕	113
<b>CSS</b> ..... 24 poles + ⊕	125
<b>CT, CTSE (16A) *</b> .. 24 poles + ⊕	133
<b>CQE</b> ..... 46 poles + ⊕	141
<b>CQEE</b> ..... 64 poles + ⊕	147
<b>CMCE</b> ..... 10+2 (aux) poles + ⊕	152
<b>CME, CMSH</b> 10+2 (aux) poles + ⊕	153
<b>CMCE</b> ..... 16+2 (aux) poles + ⊕	158
<b>CME</b> ..... 16+2 (aux) poles + ⊕	159
<b>CX</b> ..... 4/8 and 6/6 poles + ⊕	173 and 175
<b>MIXO</b> ..... 6 modules	179-215

\*) only for standard insulating version TCHI

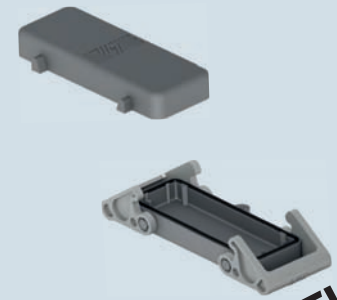
insert centre distance: **104 x 27 mm**

**hoods with double lever top entry**



**NEW**

**covers**

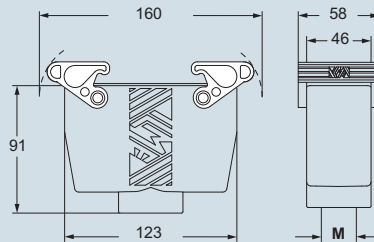


**NEW**

description	part No.	entry M	part No. (with eyelet)	part No. (with loop)
with thermoplastic levers and gasket	<b>TMAV 24 G32</b>	<b>32</b>		
with thermoplastic levers and gasket	<b>TMAV 24 G40</b>	<b>40</b>		
with 4 pegs			<b>TCHC 24</b>	<b>TCHC 24 S</b>
with 2 thermoplastic levers and gasket				<b>TCHC 24 G</b>

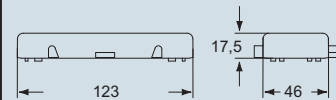
dimensions in mm

**TMAV 24 G32 and TMAV 24 G40**

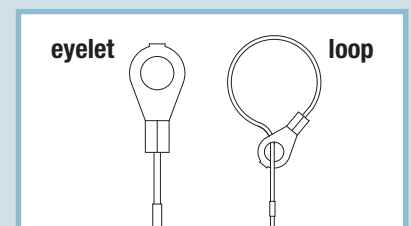
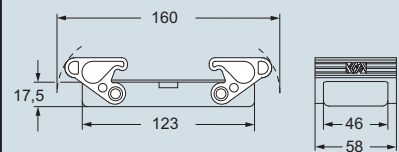


dimensions in mm

**TCHC 24**



**TCHC 24 G**



**CAIUS** Type 12



ambient temperature limits -40 °C / +90 °C

dimensions shown are not binding and may be changed without notice

T-TYPE - size 104.27