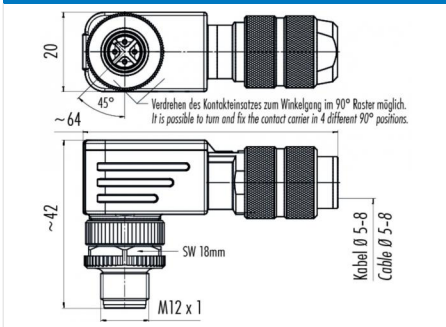


Product	<b>Contacts 4: Male angled connector, crimp termination, shieldable</b>
Area	<b>M12-A Series 713</b>
Article number	<b>99 1433 824 04</b>

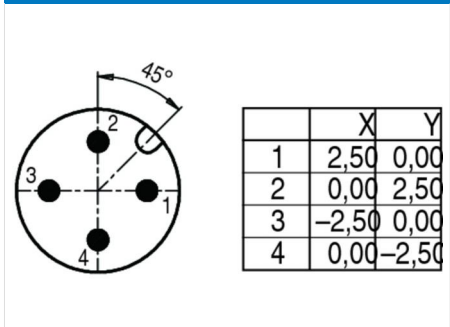
**Illustration**



**Scale drawing**



**Contact Arrangement**



**Technical data**

**General features**

Connector Design	male angled connector
Connector locking system	bolted
Termination	crimp
Wire gauge (mm)	0,34-1,5 mm <sup>2</sup>
Wire gauge (AWG)	22-16
Cable outlet	5 – 8 mm
Upper temperature	85 °C
Lower temperature	-40 °C

**Electrical parameters**

Rated voltage	250 V
Rated impulse voltage	2500 V
Pollution degree	3
Overvoltage category	II
Material group	III
Rated current (40°C)	4 A
Volume resistivity	≤ 3 mΩ
EMV compliance	not shielded
Degree of protection	IP67
Mechanical operation	> 50 Mating cycles

**Material**

Material of contact	CuZn (Messing)
Contact plating	Au (gold)
Material of contact body	PA