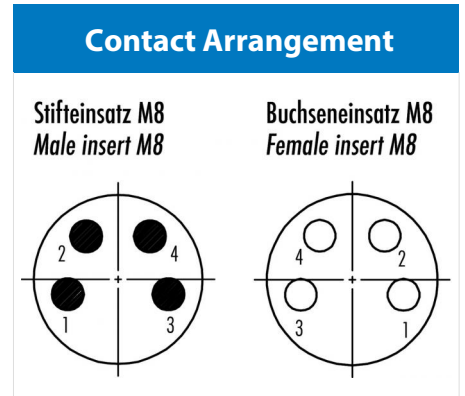
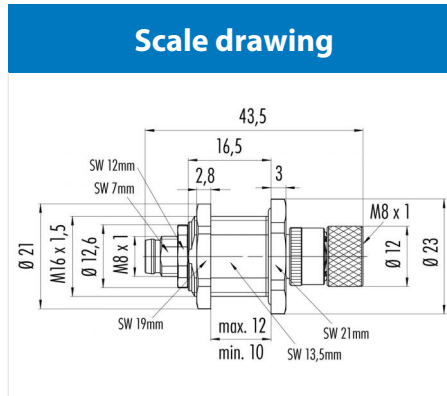


Product	Contacts 4: Adaptor, switch cabinet bushing, shielded, male connector M8 - female connector M8	Area Article number	Connecting cords Series 765 09 5251 00 04
Pole	4		



You can find the assembly instruction on the next page.

Technical data

Common values

Connector Design	Adaptor
Connector locking system	screw
Termination	-
Wire gauge (mm)	-
Wire gauge (AWG)	-
Cable outlet	-
Upper temperature	85 °C
Lower temperature	-25 °C

Electrical values

Rated voltage	250 V
Rated impulse voltage	2500 V
Pollution degree	3
Overvoltage category	II
Material group	III
Rated current (40°C)	4 A
Volume resistivity	≤ 3 mΩ
EMV compliance	shielded
Degree of protection	IP67
Mechanical operation	> 100 mating cycles

Material

Material of contact	CuZn (Brass)
Contact plating	Au (Gold)
Material of contact body	PA (UL 94 HB)
Material of housing	Nickel-plated zinc die casting, nickel-plated brass

Contacts 4: Adaptor, switch cabinet bushing, shielded, male connector M8 - female connector M8

Product

Contacts 4: Adaptor, switch cabinet bushing, shielded, male connector M8 - female connector M8

Area
Article number

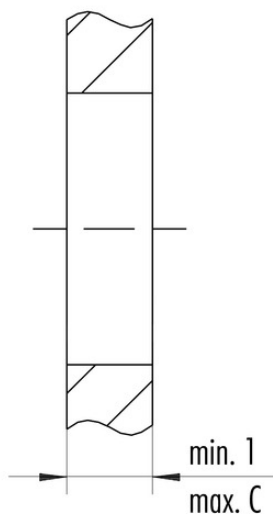
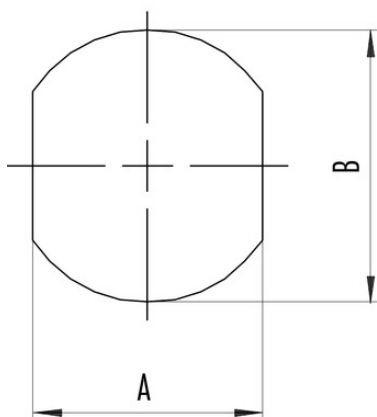
**Connecting cords Series 765
09 5251 00 04**

Pole

4

Installation instructions / Mounting cutout

Schaltschrankdurchführung mit Durchgangsbohrung
Lead-through for control cabinet with bore hole



	A	B	C
M8	13,5	16,1	12
M12	18,2	20,1	9