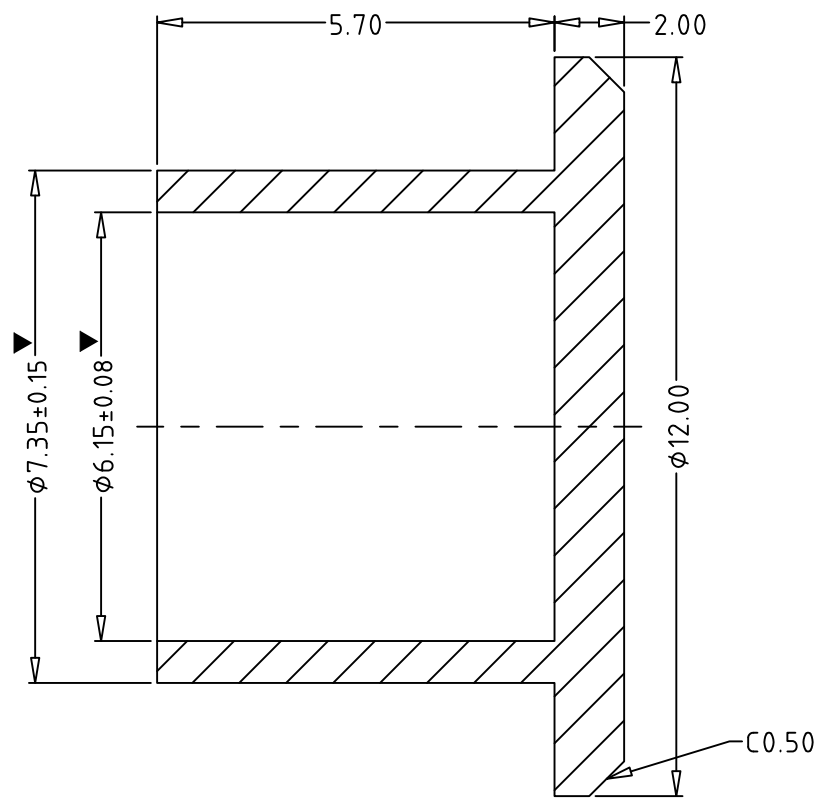
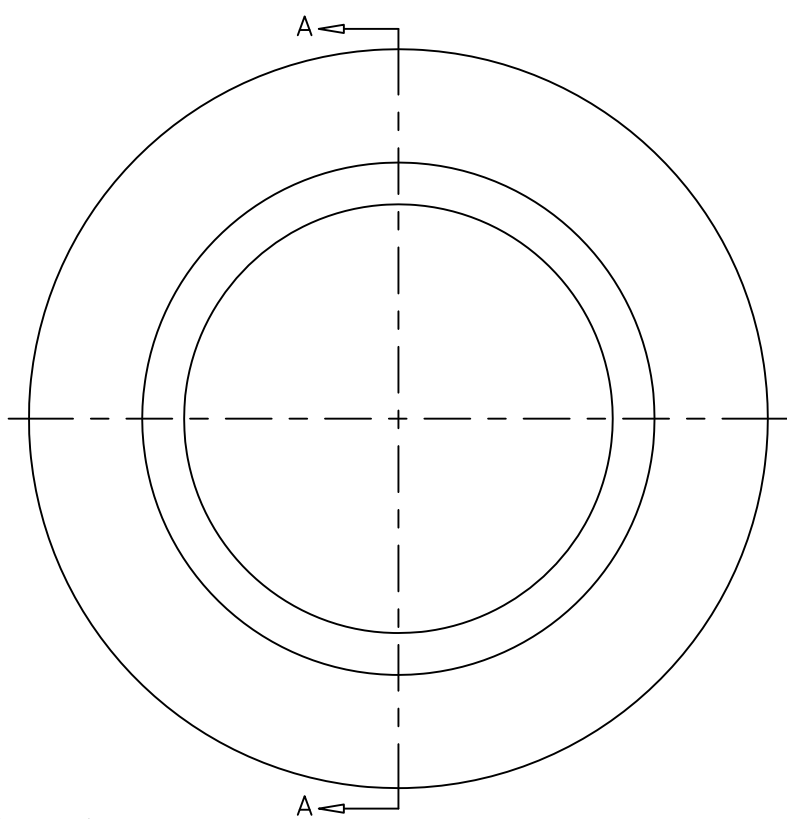


7	8	9	10
ECN. NO.	REV.	DATE	DESCRIPTION
	X1	10/29'2015	初版发行
CHANGE	APPD.		

版本: X1



SECTION:A-A

Requirements:

1. Environmental protection material:LD-PE,black,HB,environmental protection, accord ROHS2.0;
2. Parts shall not have indentation, cracks, scratches and other undesirable;
3. " "The triangle marks the important size, which needs to be checked in production;
4. Burr 0.20mm MAX.

MAT'L: 见技术要求栏		<b>Higo</b> 上海海固电器设备有限公司 Shang hai Higo Electronic Technology Co., Ltd.	
UNITS: mm		TITLE: Mini B, C female cover	PART NO.: ZX09BM
X.±: 5	X°.±: 5°	APPD:	DWG NO.: E-S-FN360-00
.X±: 0.30	.X°.±: 2°	CHEG:	SCALE SHEET REV.
.XX±:0.20	.XX°.±:1°	DRAW: Gary zhou 10/29'2015	N/A 1/1

