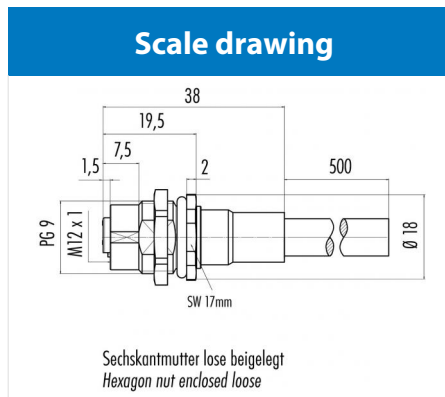


Product	<b>Contacts 8, female panel mount connector PG 9, screwed from front, with shielded PUR cable</b>	Area	<b>M12-A Series 713/763</b>
Pole	<b>8</b>	Article number	<b>70 3482 287 08</b>



### Contact Arrangement

geschirmt/ shielded	nicht geschirmt/ not shielded
1 weiß/white	1 weiß/white
2 braun/brown	2 braun/brown
3 grün/green	3 grün/green
4 gelb/yellow	4 gelb/yellow
5 grau/grey	5 grau/grey
6 rosa/pink	6 rosa/pink
7 blau/blue	7 blau/blue
8 rot/red	8 Schirm/shield

Gehäuse-Schirm/  
Housing-shield

You can find the assembly instruction on the next page.

## Technical data

### Common values

Connector Design	Female panel mount connector
Connector locking system	screw
Termination	PUR cable
Wire gauge (mm)	0.25 mm <sup>2</sup>
Wire gauge (AWG)	24
Upper temperature	70 °C
Lower temperature	-5 °C

### Cable data

Cable diameter	6
----------------	---

### Electrical values

Rated voltage	60 V
Rated impulse voltage	800 V
Pollution degree	3
Overvoltage category	II
Material group	II
Rated current (40°C)	2 A
Volume resistivity	≤ 3 mΩ
EMV compliance	shielded
Degree of protection	IP68
Mechanical operation	> 100 mating cycles

### Material

Material of contact	CuZn (Brass)
Contact plating	Au (Gold)
Material of contact body	PA
Material of housing	Brass, nickel-plated zinc die casting

Contacts 8, female panel mount connector fixing thread PG 9, screwed from front, with shielded PUR cable

Product

**Contacts 8, female panel mount connector  
PG 9, screwed from front, with shielded  
PUR cable**

Area

**M12-A Series 713/763**

Article number

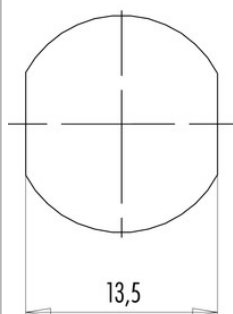
**70 3482 287 08**

Pole

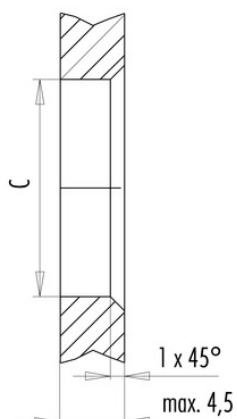
**8**

### Installation instructions / Mounting cutout

Mit Fläche als Verdrehschutz  
With flats as anti-rotation device



Mit Durchgangsbohrung  
With bore hole



	C
PG 9	15,3
M16x1,5	16,1

Anzugsdrehmoment/Tightening moment

Metallgehäuse/Metal housing 6,25 Nm  
Kunststoffgehäuse/Plastic housing 3,75 Nm