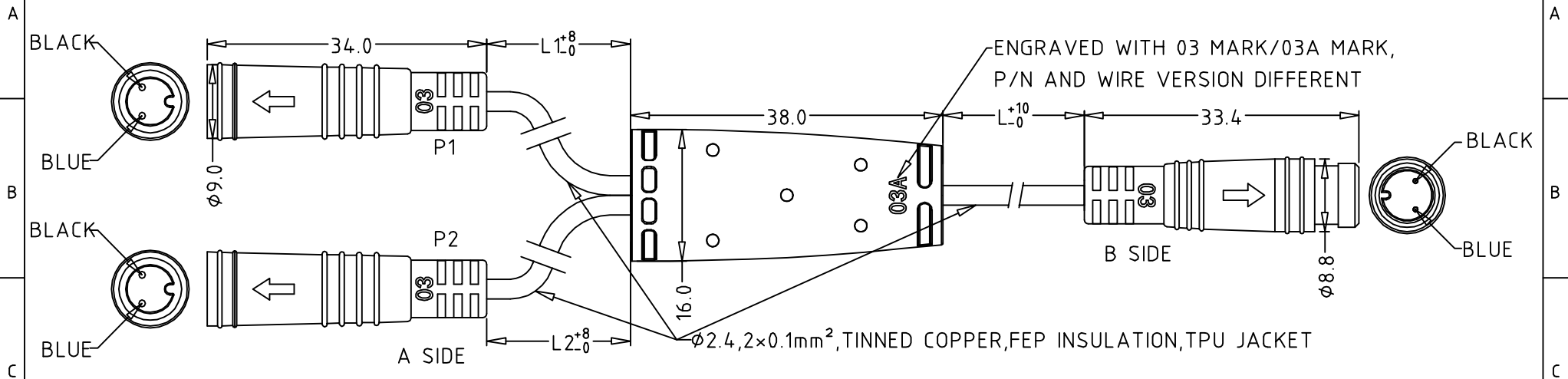


版本: X1

ECN. NO.	REV.	DATE	DESCRIPTION	CHANGE	APPD.
	X1	08/17/2015	初版发行	/	



1. Electrical Characteristics:

- 1.1: Low level contact resistance: 10 milliohm Max.
- 1.2: Dielectric withstanding voltage: 500VAC.
- 1.3: Insulation resistance: 20 megaohm Min.

2. Mechanical Characteristics:

- 2.1: Durability: 200 cycle.

3. Performance:

- 3.1: Voltage rating: 48V AC, 60V DC.
- 3.2: Current rating:
2Amps (φ0.6 pin and socket).
- 3.3: Operation temperature: -25°C ~ +80°C.

4. Requirement:

- 4.1: Environmental protection, accord ROHS 2.0.

5. Applicable wire:

- φ0.6 Contact: 0.2mm² MAX.

6. Degree of protection:

- IP66 in mated condition

L = 1200 mm
L1 = 50 mm
L2 = 50 mm

PART NO.	MARK	NO.	A SIDE		B SIDE
			P1	P2	
5300.0110	03A	1	BLACK	BLACK	BLACK
		2	BLUE	BLUE	BLUE
MAT'L: N/A		上海海固电器设备有限公司 Shang hai Higo Electronic Technology Co., Ltd.			
UNITS: mm		TITLE: 1T2 CABLE		PART NO.:	
X±: 8	X°±: 5°	APPD:		DWG NO.:	
.X±: 0.5	.X°±: 2°	CHED:			
.XX±: 0.05	.XX°±: 1°	DRAW: Gary zhou 08/17/2015		SCALE	SHEET
				N/A	1/1