

Product	Contacts: 4+PE, Cable plug connector with UL approval, with die-cast threaded ring, cable outlet 8 - 10 mm, 12 - 14 mm	Area	7/8" Series 820
Pole	4+PE	Article number	99 2445 42 05

Illustration	Scale drawing	Contact Arrangement																		
		<table border="1" style="margin: 10px;"> <thead> <tr> <th></th> <th>X</th> <th>Y</th> </tr> </thead> <tbody> <tr> <td>1</td> <td>3,94</td> <td>-2,28</td> </tr> <tr> <td>2</td> <td>3,94</td> <td>2,28</td> </tr> <tr> <td>3/⊕</td> <td>-</td> <td>4,54</td> </tr> <tr> <td>4</td> <td>-3,94</td> <td>2,28</td> </tr> <tr> <td>5</td> <td>-3,94</td> <td>-2,28</td> </tr> </tbody> </table> <ul style="list-style-type: none"> 1 schwarz/black 2 blau/blue 3 grün/gelb/green/yellow 4 braun/brown 5 weiß/white 		X	Y	1	3,94	-2,28	2	3,94	2,28	3/⊕	-	4,54	4	-3,94	2,28	5	-3,94	-2,28
	X	Y																		
1	3,94	-2,28																		
2	3,94	2,28																		
3/⊕	-	4,54																		
4	-3,94	2,28																		
5	-3,94	-2,28																		

You can find the item description and assembly instruction on the next page.

Technical data

Common values

Connector Design	Cable plug connector
Connector locking system	Screws 7/8" - 16 UN
Termination	Screwing
Wire gauge (mm)	1.50 mm ²
Wire gauge (AWG)	16
Cable outlet	12 - 14 mm
Upper temperature	85 °C
Lower temperature	-25 °C

Cable data

material housing	-
Insulation single lead	-
Single lead structure	-
Conductor resistance	-
Bending radius cable fixed	-
Bending radius cable movable	-

Electrical values

Rated voltage	300 V
Rated impulse voltage	4000 V
Pollution degree	3
Overvoltage category	III
Material group	III
Rated current (40°C)	9 A
Volume resistivity	≤ 3 mΩ
EMV compliance	not shielded
Degree of protection	IP67
Mechanical operation	> 50 mating cycles

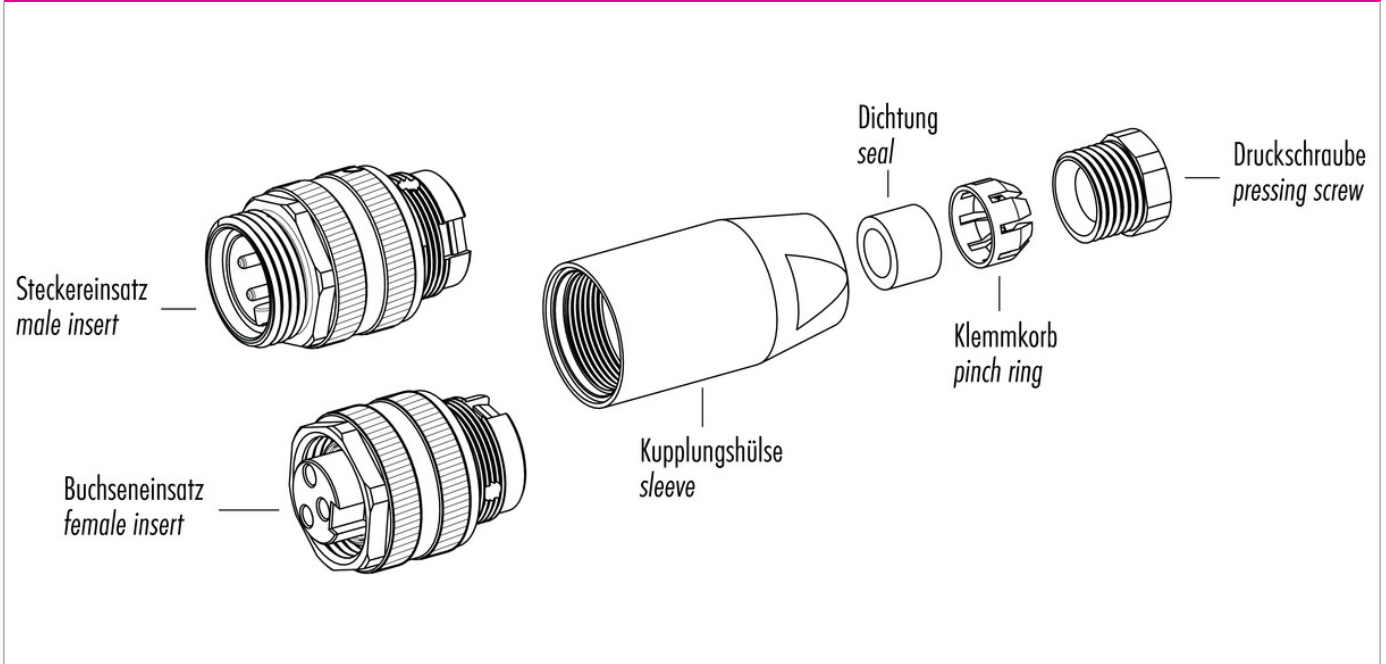
Material

Material of contact	CuZn (Brass)
Contact plating	Au (Gold)
Material of contact body	PUR, PA (UL 94 HB)
Material of housing	PBT (UL 94 V-0)

cable outlet: 12 – 14 mm, cross-section: 1.5 mm², Contacts: 4+PE, cable plug connector

Product	Contacts: 4+PE, Cable plug connector with UL approval, with die-cast threaded ring, cable outlet 8 - 10 mm, 12 - 14 mm	Area	7/8" Series 820
Pole	4+PE	Article number	99 2445 42 05

Item description



Installation instructions / Mounting cutout

