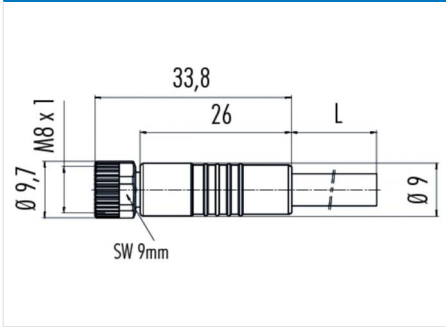


Product description	<b>M8 female cable connector, Contacts: 4, not shielded, moulded on cable, IP67, UL listed, PVC grey, 4 x 0.34 mm<sup>2</sup></b>
Area	<b>M8 series 718</b>
Order number	<b>77 3406 0000 20004-0500</b>

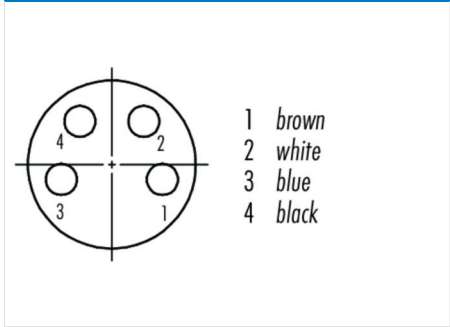
**Illustration**



**Scale drawing**



**Contact arrangement**



**Technical data**

**General values**

Notice	Please note that, due to the change from the old to the new order number, there may be deviations in the technical specifications. For questions about product details, please use the 'Contact Customer Service' form on the right.
Connector design	female cable connector
Connector locking system	screw
Termination	moulded on cable
Wire gauge (mm)	0.34 mm <sup>2</sup>
Wire gauge (AWG)	22
Upper limit temperature	85 °C
Lower limit temperature	- 25 °C
Customs tariff number	85444290

**Electrical values**

Rated current (40 °C)	4 A
Rated voltage	60 V
Rated impulse voltage	1500 V
Pollution degree	3
Overvoltage category	II
Insulating material group	II
EMC compliance	not shielded
Degree of protection	IP67
Mechanical operation	> 100 Mating cycles

**Material**

Contact material	CuZn (brass)
Contact plating	Au (gold)
Contact body material	PUR
Housing material	PUR

**Cable data**

Cable length	5 m
Sheath material	PVC
Single-lead insulation	PVC
Single-lead structure	42 x 0,1 mm
Cable diameter	4.8 mm
Conductor resistance	57 Ω/Km
Temperature range, moving cable, °C from	- 5 °C
Temperature range, moving cable, °C to	105 °C
Temperature range, fixed cable, °C from	-40 °C
Temperature range, fixed cable, °C to	105 °C
Bending radius, fixed cable	≥ 5 x Ø
Bending radius, moving cable	≥ 10 x Ø
Approval 1	UL listed
UL style 1	AWM2517

Product description	<b>M8 female cable connector, Contacts: 4, not shielded, moulded on cable, IP67, UL listed, PVC grey, 4 x 0.34 mm<sup>2</sup></b>
Area	<b>M8 series 718</b>
Order number	<b>77 3406 0000 20004-0500</b>

## Security notices

The connectors are designed for use in plant, control system and electrical equipment. The end user is responsible for checking whether the connectors are suitable for use in other applications.

Connectors with degree of protection IP 67 and IP 68 are not suitable for use under water. When used outdoors, the connectors must be separately protected against corrosion. For further information about IP degrees of protection refer to 'Technical support' in the Download Centre.

To lock the cable connector to the equipment connector, the threaded ring is tightened until it is 'finger-tight' (approx. 50 cNm).