

Product sheet

Miniature connector



Product
Pole

Contacts: 14, Male angled connector
14

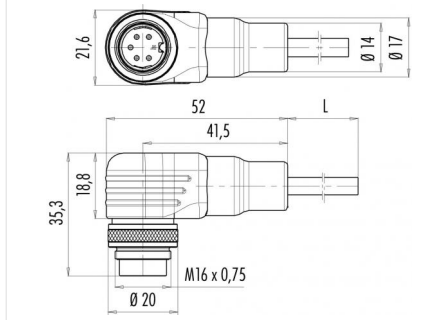
Area
Article number

M16 IP67 Series 425
79 6251 200 14

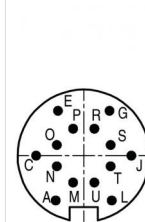
Illustration



Scale drawing



Contact Arrangement



- A braun 0,5 mm²
- C -
- E schwarz
- G rosa
- J grün
- L blau 0,5 mm²
- M gebrückt mit A
- N -
- O violett
- P weiß
- R rot
- S grau
- T gelb
- U gebrückt mit L

Technical data

Common values

Connector Design	Male angled connector
Connector locking system	screw
Termination	solder, injection-moulded cable
Wire gauge (mm)	0.25/0.5 mm ²
Wire gauge (AWG)	24/20
Cable outlet	-
Upper temperature	70 °C
Lower temperature	-25 °C

Cable data

material housing	PUR
Insulation single lead	PVC
Single lead structure	32x0.1 63x0.1 mm
Cable sheath Ø	8
Bending radius cable fixed	80 mm
Bending radius cable movable	120 mm
Cable diameter	8

Electrical values

Rated voltage	60 V
Rated impulse voltage	500 V
Pollution degree	1
Overvoltage category	I
Material group	III
Rated current (40°C)	3 A
Volume resistivity	≤ 3 mΩ
EMV compliance	not shielded
Degree of protection	IP67
Mechanical operation	> 500 mating cycles

Material

Material of contact	CuZn (Brass)
Contact plating	Au (Gold)
Material of contact body	PBT (UL 94 V-0)
Material of housing	PUR

Contacts: 14, Cable: 8 x 0.25 mm², 2 x 0.5 mm², male angled connector