

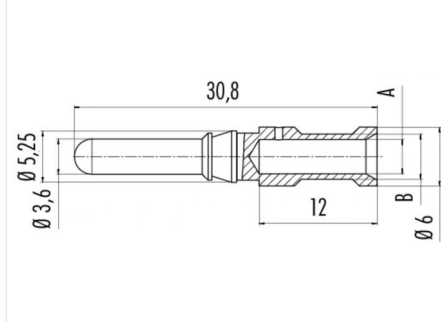
Product description **Male contact, set of 100**

Order number **61 1312 139**

Illustration



Scale drawing



Technical data

Wire gauge (mm)	2.50 mm ²
Wire gauge (AWG)	14
Crimp measurement	A = 2.2; B = 3.3