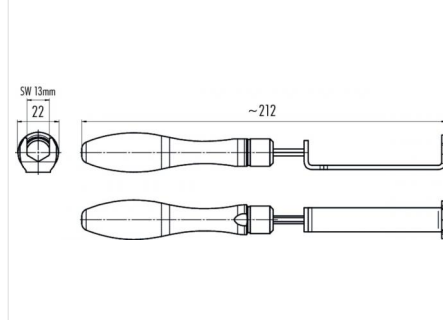


Product **763: Key with torque limit, hexagon SW13 0.6 Nm, for series 763**
 Article number **07 0086 000**

Illustration



Scale drawing



Matching products

- Cable plug connector, overmoulded
- Cable plug connector, overmoulded, weld-spark proof PUR line
- Cable plug connector, overmoulded, shielded
- Cable plug connector, overmoulded, stainless steel threaded ring
- Male angled connector, overmoulded
- Male angled connector, overmoulded, weld-spark proof PUR line
- Male angled connector, overmoulded, stainless steel threaded ring
- Female cable connector overmoulded,
- Kabeldose umspritzt, 120°C
- Female cable connector, overmoulded, weld-spark proof PUR line
- Female cable connector overmoulded, stainless steel threaded ring
- Female angled connector, overmoulded
- Female angled connector, overmoulded, weld-spark proof PUR line
- Female angled connector, overmoulded, stainless steel threaded ring
- Female angled connector, overmoulded, with LED PNP NOC
- Female angled connector, overmoulded, with LED PNP NOC, VA threaded lock
- Cable plug connector, CAN bus, with UL approval
- Female cable connector, CAN bus, with UL approval
- Terminating plug, CAN bus
- Terminating socket, CAN bus
- Male panel mount connector with single wires, 0.25 mm², PG 9, M16 x 1.5, PG 9 stainless steel, M16 x 1.5 VA
- Male panel mount connector, dip-solder
- Male panel mount connector, fixing thread, M12 x 0.5
- Male panel mount connector, fixing thread, PG 9, M16 x 1.5
- Male panel mount connector, fixing thread, PG 11
- Male panel mount connector, fixing thread, PG 13.5, M20 x 1.5
- Male panel mount connector with single wires 0.25 mm², metal housing with fixing thread M20 x 1.5 and PG 13.5
- Male panel mount connector, solder, metal, PG 9, M16 x 1.5
- Male panel mount connector, screw terminal connection, UL approval
- Male panel mount connector, adjustable, with single wires, 0.25 mm², PG 9, M16 x 1.5, PG 9 VA
- Male panel mount connector with single wires, screwed from front, 0.25 mm², PG 9, M16 x 1.5, PG 9 VA
- Male panel mount connector, solder, screwed from front, not mounted
- Male panel mount connector, screwed from front, dip-soldered, PG 9
- Male panel mount connector, screwed from front, with shielding sheet, dip-soldered, PG 9
- Male panel mount connector, screwed from front, dip-soldered, M12 x 1, 10.5 mm contact length
- Male panel mount connector, PG 9, screwed from front, with shielded PUR cable
- Female panel mount connector, plastic housing, screwed from back, soldered, PG 9, M16 x 1.5
- Female panel mount connector, plastic housing, screwed from front, soldered
- Female panel mount connector, plastic housing, screwed from front, dip-solder
- Female panel mount connector, solder, PG 9, M16 x 1.5
- Female panel mount connector, screw terminal connection, UL approval, M20 x 1.5
- Female panel mount connector, adjustable, with single wires, 0.14 mm²/ 0.25 mm², PG 9, M16x 1.5, PG 9 VA, M16 x 1.5 V
- Female panel mount connector, screwed from front, with single wires, 0.14 mm²/ 0.25 mm², PG 9, M16 x 1.5, PG 9 VA
- Female panel mount connector, solder, screwed from front, not mounted
- Female panel mount connector M16, with shielded PUR cable
- Female panel mount connector, PG 9, screwed from front, with shielded PUR cable

Product	763: Key with torque limit, hexagon SW13 0.6 Nm, for series 763
Article number	07 0086 000

Female panel mount connector, dip-solder

Female panel mount connector, with single wires, 0.14mm²/0.25 mm², PG 9, M16 x 1.5, PG 9 stainless steel